

# Pressed collar saddles for SPIRAL ducts

## FLX-SP



### Description

FLX-SP pressed collar saddle is used to join SPIRAL ductwork and FLX-REKU ducting.

#### Available materials — Product code example

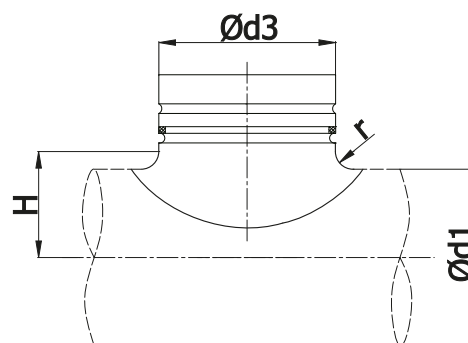
FLX-SP-... -... - galvanized steel sheet

#### Product code example

Product code: **FLX-SP - aaa - bbb**

type \_\_\_\_\_  
 $\text{\O}d_1$  \_\_\_\_\_  
 $\text{\O}d_3$  \_\_\_\_\_

### Dimensions



Product code	$\text{\O}d_{1\text{nom}} - \text{\O}d_{3\text{nom}}$ [mm]	diameter range for $\text{\O}d_{1\text{nom}}$ [mm]	r [mm]	H [mm]	Weight [kg]
FLX-SP-100-75	100-75	100 - 112	10	60	0,1
FLX-SP-125-75	125-75	112 - 125 - 140	10	72	0,1
FLX-SP-160-75	160-75	150 - 160	10	90	0,1
FLX-SP-200-75	200-75	180 - 200	10	110	0,1
FLX-SP-250-75	250-75	224 - 250 - 280 300 - 315	10	135	0,1