

# Plenum boxes with long connection spigot for air valve **FLX-PLO-L / FLX-PRO-L**



## Description

FLX-PLO-L / FLX-PRO-L plenum boxes with long connection spigot are components of the FLX-REKU system intended for domestic mechanical ventilation systems, also known as mechanical ventilation heat recovery (MVHR) or heat recovery ventilation. The low profile plenum boxes require less installation space than standard solutions, which is very convenient when they should not be prominent once concealed. This advantage helps free up usable indoor area.

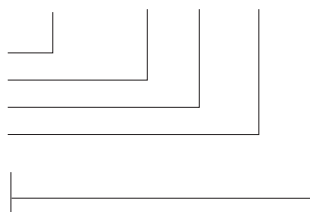
FLX-PLO-L / FLX-PRO-L plenum boxes are made of galvanized steel sheet. Plenum boxes made from stainless steel are available on request. Available also insulated plenum box version - FLX-PLI-L / FLX-PRI-L. These plenum boxes have inside a insulation lining made from 9 mm thick rubber foam.

FLX-PLO-L plenum boxes are equipped with duct connection spigot  $\varnothing d_2$  with a EPDM seal – this type of connection with FLX-HDPE ducting is airtight and easy to install.

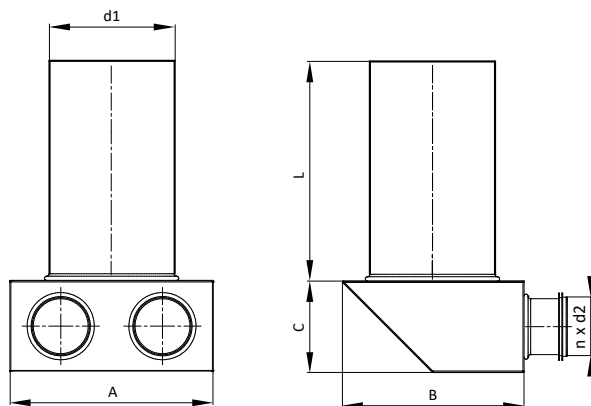
### Product code example

Product code **FLX-PLO-L - 75 - 2 - 150 - F**

type  
 diameter  $\varnothing d_2$   
 number of spigots n  
 diameter  $\varnothing d_1$   
 type of connection  
 male  
 F - female



## Dimensions



Product code	A [mm]	B [mm]	C [mm]	L [mm]	$d_1$ [mm]	n [pcs.]	$d_2$ [mm]
FLX-PRO-L-63-1- $d_1$	180	180	75	320	80-160	1	63
FLX-PRO-L-63-2- $d_1$	180	180	75	320	80-160	2	63
FLX-PRO-L-63-3- $d_1$	180	270	75	320	80-160	3	63
FLX-PLO-L-75-1- $d_1$	180	200	90	320	80-160	1	63
FLX-PLO-L-75-2- $d_1$	180	200	90	320	80-160	2	63
FLX-PLO-L-75-3- $d_1$	180	300	90	320	80-160	3	63
FLX-PLO-L-90-1- $d_1$	180	200	110	320	80-160	1	75
FLX-PLO-L-90-2- $d_1$	180	200	110	320	80-160	2	75
FLX-PLO-L-90-3- $d_1$	180	300	110	320	80-160	3	75

Duct connection spigot  $d_1$ : 80, 100, 125, 150, 160 mm

**FLX-CS-PVC** end caps fit connection spigots of FLX-PLO-75 and FLX-PLO-90 plenum boxes.



**FLX-CF-PVC** end caps fit (inside) duct connection spigots of FLX-PRO-63 plenum boxes.

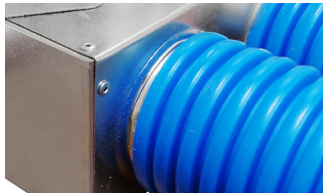


Plenum boxes with long connection spigot for air valve

# FLX-PLO-L / FLX-PRO-L

## Types of plenum boxes

FLX-PLO plenum box



FLX-PRO plenum box (spigot - 63mm only)



FLX-PLO-75-2-160 male connection spigot  $\varnothing d_1$  with a seal



FLX-PLO-75-2-160-F female connection spigot  $\varnothing d_1$



On request, plenum boxes can be supplied with additional safety clips, that secure the semi-rigid duct in the place and protect it from disconnecting: FLX-PLO-75-...-H

