

EPP plenum box for air valve

FLX-PLO-EPP-F



Description

The FLX-PLO-EPP-F plenum boxes are part of the FLX-REKU air distribution system designed for domestic mechanical ventilation systems, so-called the MVHR system, to which an air valve and FLX-HDPE / FLX-HDPE-A ducts with a diameter of Ø75 are mounted.

Due to their small size, they do not require much space or special installation. This allows achieving a larger usable floor area of the room.

The FLX-PLO-EPP-F plenum boxes are made of expanded polypropylene, i.e. EPP, while Ø75 spigots are made of ABS. The material used allows obtaining an aerodynamic shape of the inside of the box which leads to low air resistance.

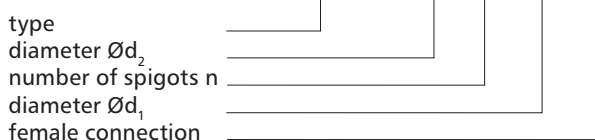
Key features:

- EPP is an insulation material $\lambda=0.039$, the wall thickness is about 8 to 31 mm.
- The profiled internal shape of the box reduces pressure drops
- "Double" FLX-HDPE duct fixing - the male connection spigot with a gasket on the inside and EPP casing on the outside
- The plenum boxes do not corrode
- Spigot (d_1) for an air valve with graduation to be cut to size as required - 40, 60, or max. 80 mm.
- 2 installation methods - with 3 screws and wall plugs or with 17-25 mm-wide PB perforated tape

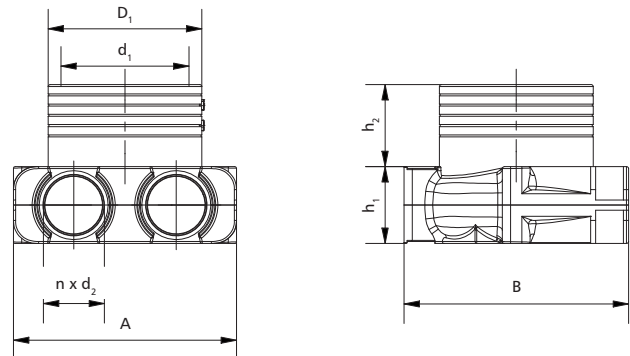
The FLX-PLO-EPP-F plenum boxes are equipped with TPE gasket on $\varnothing d_2$ spigots as a standard - such connection with FLX-HDPE ducts is airtight and easy to make. A system created with the FLX-PLO-EPP-F boxes achieves the **airtightness class C**.

Product code example

Product code **FLX-PLO-EPP - 75 - 2 - 150 - F**



Dimensions



	A	B	h_1	h_2	D_1	d_1	n	d_2
	[mm]	[mm]	[mm]	[mm]	[mm]	[mm]	[szt.]	[mm]
FLX-PLO-EPP-75-1-100-F	134	194	75	155	125	100	1	75
FLX-PLO-EPP-75-2-125-F	217.5	219	75	155	150	125	2	75

Spigot (d_1) for an air valve with graduation to be cut to size as required - 40, 60, or max. 80 mm



The profiled internal shape of the box reduces pressure drops



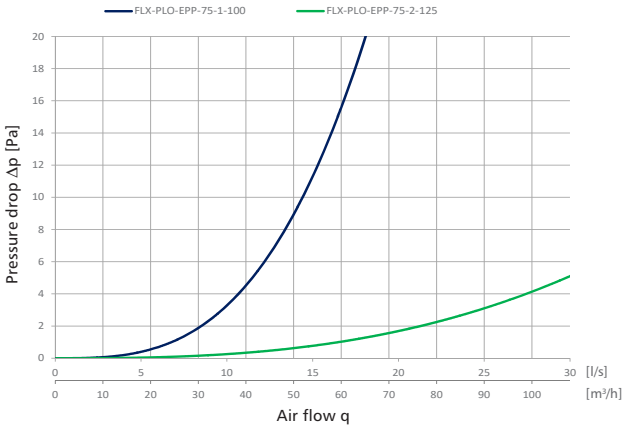
The **FLX-CS-PVC** end caps fit the $\varnothing d_2$ connection spigots of FLX-PLO-EPP-F plenum boxes.



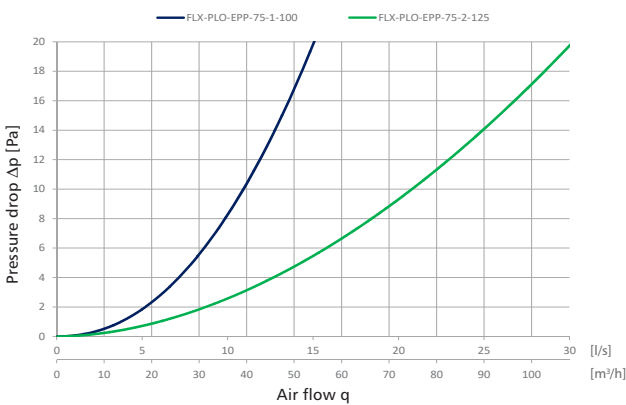
EPP plenum box for air valve FLX-PLO-EPP-F

Technical data

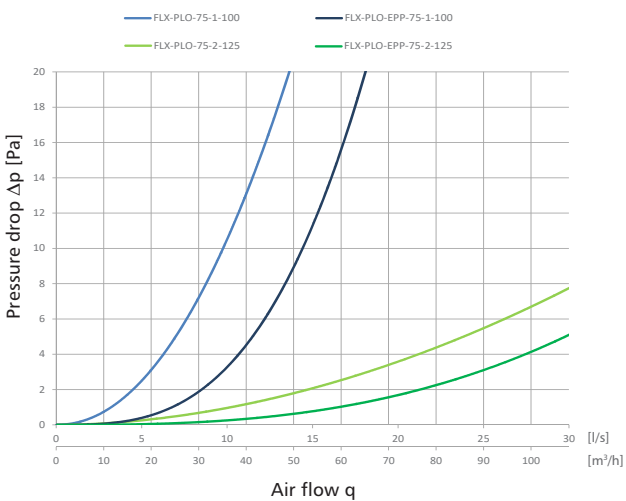
Pressure drop charts for the supply air to the room



Pressure drop charts for the extract air from the room



Comparison of a plenum box made of EPP and steel



Types of plenum boxes

FLX-PLO-EPP-F - female connection spigot $\varnothing d_1$



Types of plenum boxes

FLX-PLO-EPP-d2-n-d1-F

Type - FLX-PLO-EPP-F
 d_2 - FLX-HDPE-75 ducting diameter
 n - number of spigots for FLX-HDPE ducting (1 or 2)
 d_1 - air valve diameter (100 or 125 mm)

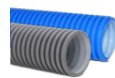
You may also need:



EPP reduction 125 by 100 mm
 FLX-PLO-EPP-RC-125-100F



KN, KW Air valve



FLX-HDPE / FLX-HDPE-A Semi-rigid ducting



FLX-CS-PVC End caps