

Steel mounting bracket for FLX-HDPE-75 ducts

**FLX-FIX-75-10-1****Description**

Steel mounting brackets for FLX-HDPE-75 semi-rigid ducts, commonly used in mechanical ventilation systems with heat recovery. The bracket has a special narrowing at the top to keep these semi-rigid ducting securely in place, preventing it from falling off.

The brackets are assembled as a set of 10 pieces (for 10 ducts). The notches in the brackets make it easier to separate individual pieces.

FLX-FIX-75-10-1



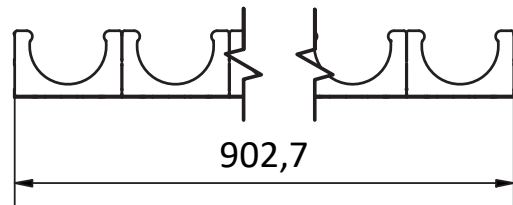
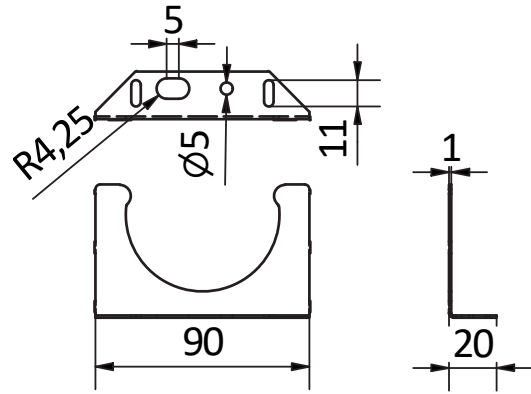
Number of brackets: 10pcs

Mounting hole: Ø8.

Sheet thickness: 1mm

**Product code example**Product code: **FLX-FIX-75 - 10 - 1**

type	_____	_____	_____
number of brackets	_____	_____	_____
sheet thickness	_____	_____	_____

**Dimensions****Installation method**