

# Pressed bends FLX-BP



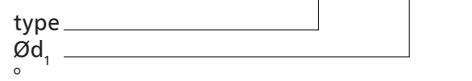
## Description

FLX-BP pressed ventilation bends are used with the FLX-HDPE/FLX-HDPE-A semi-rigid ducting. The bend is made by seam welding for improved installation airtightness. The duct is connected by inserting it into the bend. The pressed form of the ventilation bend helps to reduce the airflow resistance and the pressure loss. The air tightness class can be increased to class B by wrapping the joints with the TAL, MET or DUCT sealing tape.

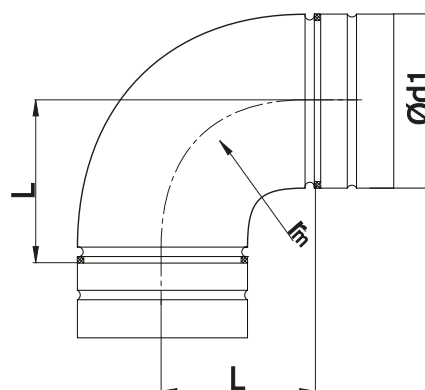
**Available materials — Product code example**  
FLX-BP-090-90-... - galvanized steel sheet

### Product code example

Product code: **FLX-BP - aaa - 90**



## Dimensions



$$r_m \approx 1 \times d_1$$

Product code	Ød <sub>1</sub> [mm]	L [mm]
FLX-BP-075-90	75	100
FLX-BP-090-90	90	100