

Rubber foam insulated T-piece

F..-TPCL



Description

T-piece for distribution of air in the ventilation system. The most typical one has a branch-off with the same or similar diameter in relation to the pipe opening. The 90-degree angle is the most universal one - in the case that the non-standard nature of the system requires the 45-, 60-, 15-degree branch-off, it must be discussed and quoted separately.

Marking example

Product code: **F09 - TPCL - - 125 - 100**

rubber thickness Q:

- 09
- 13
- 19
- 25

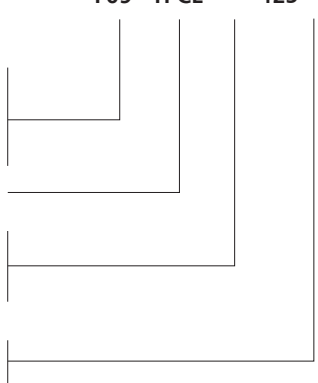
type sheet:

- galvanised
- stainless steel
- aluminium

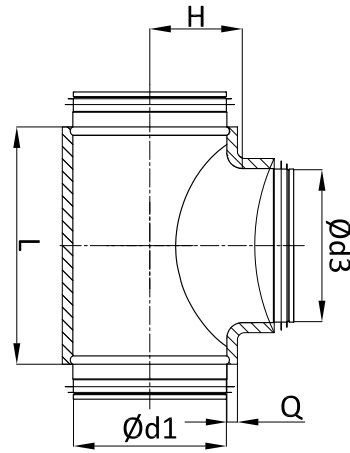
K
A

diameter

- d_1
- d_3



Dimensions



$\varnothing d_1$ [mm]	$\varnothing d_3 / \varnothing d_4$ [mm]	L [mm]	H [mm]
80	80	140	52
100	80	126	65
	100	170	65
	125	200	83
125	80	146	75
	100	184	78
	125	215	95
150	80	140	87
	100	175	90
	125	215	95
160	80	140	92
	100	184	95
	125	229	100
200	150	260	100
	160	229	105
	80	140	112
250	100	175	115
	125	215	115
	150	260	120
300	160	281	125
	80	156	137
	100	175	140
350	125	220	145
	150	255	145
	160	256	150
400	200	306	150
	250	307	150