

Rubber foam female coupling

F.-MSF



Description

The female coupling joins two fittings which are of the size of the male couplings - it overlaps the fitting such as an bend, a T-piece or a reducer on both sides. It complements the system of ventilation and air conditioning ducts and fittings.

Marking example

Product code:

F09 - MSF - - 100

rubber thickness Q:

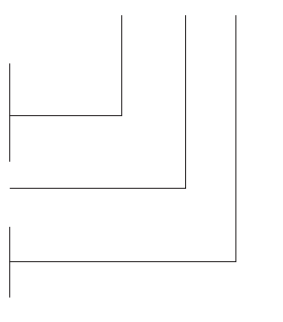
- 09
- 13
- 19
- 25

type

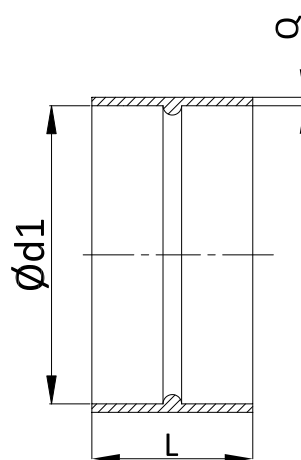
sheet:

- galvanised
- stainless steel K
- aluminium A

diameter



Dimensions



$\varnothing d_{nom}$ [mm]	L [mm]
80	78
100	78
125	78
150	78
160	78
200	78
250	78