

# Rubber foam insulated bends

## F.-BPL



### Description

Pressed ventilation bends insulated with rubber foam, applied for installations running at places where their further insulation is impossible. They are perfectly fit for the duct air-conditioning system where the use of the 9-25 mm insulation is possible.

The bends are available with standard 90- and 45- degree angles and in the short version as F.-BPKL-...-..., or in the short female end version as F.-BPKFL-...-..., which enters into the spiral duct on one side and overlaps the frame of e.g. KN-RM-ddd valve on the other side.

### Marking example

Product code:

**F09 - BPL - - 100 - 90**

rubber thickness Q:

- 09
- 13
- 19
- 25

type

standard r=1D

short r=0.8D

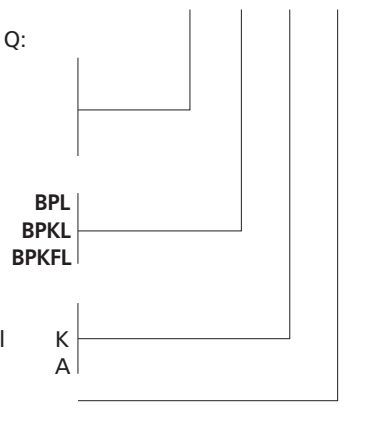
short female-male

sheet:

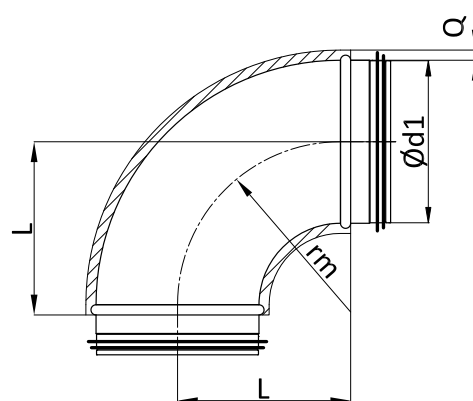
- galvanised
- stainless steel
- aluminium

diameter

angle

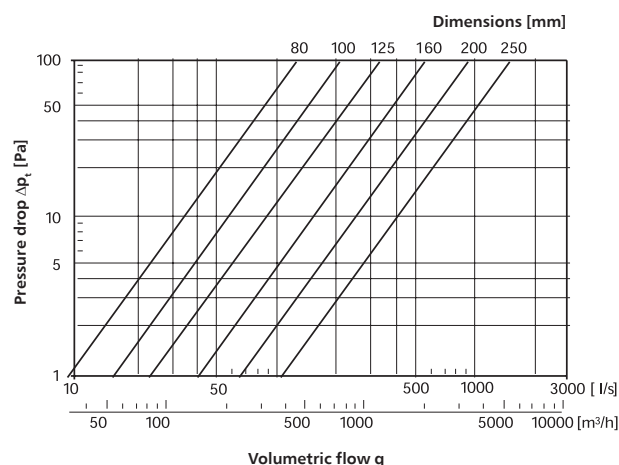


### Dimensions



$\varnothing d_{1\text{ nom}}$ [mm]	F.-BPL L [mm]	F.-BPKL / F.-BPKFL L [mm]
80	100	52
100	100	62
125	125	75
150	150	87
160	160	92
200	200	112
250	250	-

### Technical data



Data for F.BPL