

EPP T-piece

EPP-43-TPC



Description

Round T-piece made of expanded polypropylene (EPP), straight with 90 degrees equal branch. Galvanised collar saddle used as a merging element. The EPP-43-TPC is designed for residential ventilation systems and has a male-female coupling.



Note!

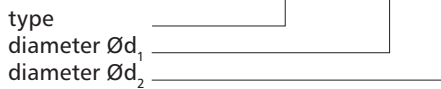
To connect the T-piece to an EPP system, one additional EPP-43-MSF coupling is required.

Available diameters: 125, 160 and 200 mm.
Thickness: 43 mm

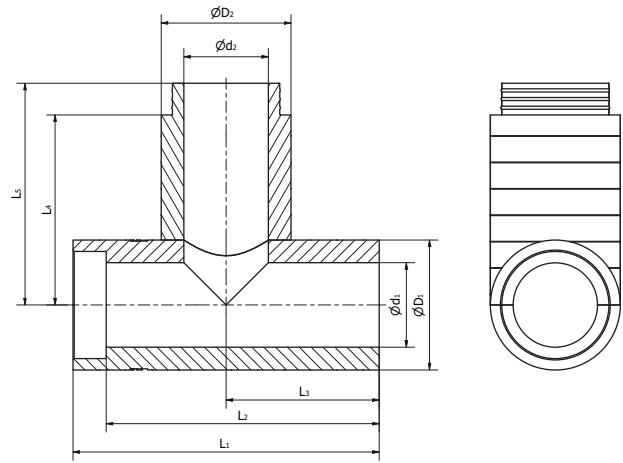
Available materials:
 EPP-43-TPC-....- EPP (expanded polypropylene)

Example of marking:

Product code: **EPP-43-TPC - 200 - 200**



Dimensions



Code	$\varnothing d_1$ [mm]	$\varnothing D_1$ [mm]	$\varnothing d_2$ [mm]	$\varnothing D_2$ [mm]
EPP-43-TPC-125-125	125	211	125	211
EPP-43-TPC-160-160	160	246	160	246
EPP-43-TPC-200-200	200	286	200	286

Code	L_1 [mm]	L_2 [mm]	L_3 [mm]	L_4 [mm]	L_5 [mm]
EPP-43-TPC-125-125	580	517	290	360	420
EPP-43-TPC-160-160	580	517	290	360	420
EPP-43-TPC-200-200	580	517	290	360	420

EPP T-piece

EPP-43-TPC

Technical data

Technical data according to PN-EN 17192 43 mm

Air tightness	ATC2 (D) \leq 110 Pa ATC3 (C) \leq 1000 Pa	
Service temperature	-25°C do +80°C	PN-EN 17192:2019
Reaction to fire	E	EN 13501-1
Resistance	No deformation at 3% deflection and 291 N load	
Thermal conductivity	$\lambda = 0,038$ W/(m·k)	PN-EN 12664:2002
Thermal resistance	$U = 1,131$ m ² K/W	PN-EN 12664:2002
Microbial resistance	1a	Method A PN-EN ISO 846:2019

Assembly method

