

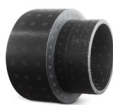
# EPP T-piece

## EPP-15-TPC



### Description

Round T-piece made of expanded polypropylene (EPP), straight with 90 degrees equal branch. Galvanised collar saddle used as a merging element. The EPP-15-TPC is designed for residential ventilation systems and has a male-female coupling.



#### Note!

To connect the T-piece to an EPP system, one additional EPP-15-MSF coupling is required.

**Available diameters:** 125, 160 and 200 mm.

**Thickness:** 15 mm

**Available materials:**

EPP-15-TPC-....- EPP (expanded polypropylene)

#### Example of marking:

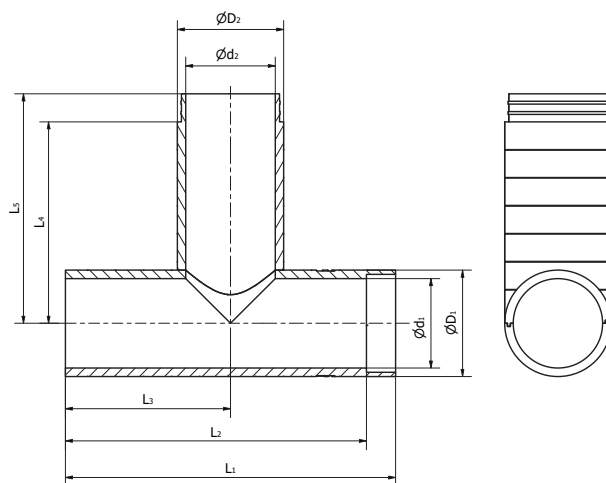
Product code: **EPP-15-TPC - 200 - 200**

type

diameter  $\varnothing d_1$

diameter  $\varnothing d_2$

### Dimensions



Product code	$\varnothing d_1$ [mm]	$\varnothing D_1$ [mm]	$\varnothing d_2$ [mm]	$\varnothing D_2$ [mm]
EPP-15-TPC-125-125	125	155	125	155
EPP-15-TPC-160-160	160	190	160	190
EPP-15-TPC-200-200	200	230	200	230

Product code	$L_1$ [mm]	$L_2$ [mm]	$L_3$ [mm]	$L_4$ [mm]	$L_5$ [mm]
EPP-15-TPC-125-125	590	538	295	360	410
EPP-15-TPC-160-160	590	538	295	360	410
EPP-15-TPC-200-200	590	538	295	360	410

EPP T-piece

**EPP-15-TPC****Technical data**

Technical data according to PN-EN 17192 15 mm

Air tightness	ATC2 (D) $\leq$ 90 Pa ATC3 (C) $\leq$ 900 Pa	
Service temperature	-25°C do +80°C	PN-EN 17192:2019
Reaction to fire	D-s3,d2 (DN 125) E (DN 160,200)	190
Resistance	No deformation at 3% deflection and 35 N load	230
Thermal conductivity	$\lambda = 0,038$ W/(m·k)	PN-EN 12664:2002
Thermal resistance	$U = 0,3947$ m <sup>2</sup> K/W	PN-EN 12664:2002
Microbial resistance	1a	Method A PN-EN ISO 846:2019

**Assembly method**