

45° Ventilation bend made of EPP

# EPP-15-BPF-45



## Description

Ventilation bends 45° made from expanded polypropylene (EPP). Bends are produced in diameters 125, 160 and 200 mm. The standard wall thickness is 15 mm. Each bend has a male-female coupling, the connection method eliminates thermal bridges.



Two 45° bends connect easily into one 90°

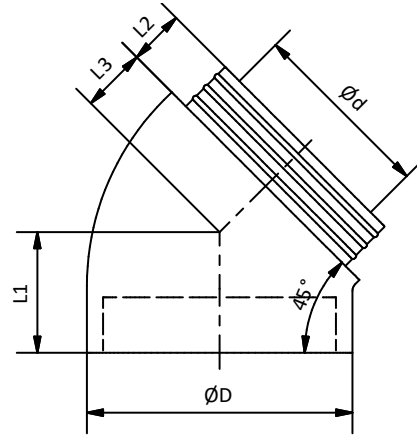
Thermal conductivity: 0.038 W / m\*K  
 Airtightness class: ATC2 (D) @ 90Pa  
 acc. to PN-EN 17192:2019-01

**Available materials:**  
 EPP-15-BPF-....- EPP (expanded polypropylene)

**Example of marking:**  
 Product code: **EPP-15-BPF - aaa - bbb**

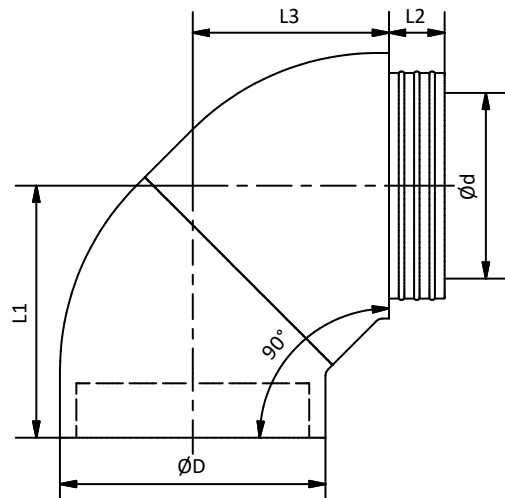
type \_\_\_\_\_  
 diameter Ød \_\_\_\_\_  
 angle \_\_\_\_\_

## Dimensions



Product code	Ød [mm]	ØD [mm]	L <sub>1</sub> [mm]	L <sub>2</sub> [mm]	L <sub>3</sub> [mm]
EPP-15-BPF-125-45	125	155	90	50	40
EPP-15-BPF-160-45	160	190	105	50	55
EPP-55-BPF-200-45	200	230	120	50	70

Bend 90° consisting of two bends 45° - EPP-15-BPF-45



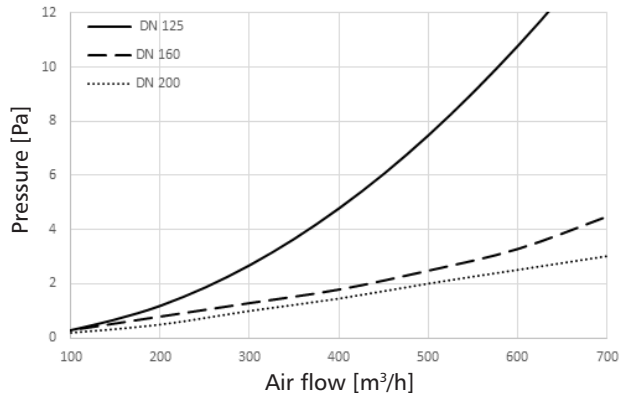
Product code	Ød [mm]	ØD [mm]	L <sub>1</sub> [mm]	L <sub>2</sub> [mm]	L <sub>3</sub> [mm]
2xEPP-15-BPF-125-45	125	155	182	50	132
2xEPP-15-BPF-160-45	160	190	218	50	168
2xEPP-55-BPF-200-45	200	230	255	50	205

# 45° Ventilation bend made of EPP

## EPP-15-BPF-45

### Technical data

Pressure loss drops of EPP-15-BPF bends of different diameters



Technical data according to PN-EN 17192 15 mm

Air tightness	ATC2 (D) ≤ 90 Pa ATC3 (C) ≤ 900 Pa	
Service temperature	-25°C do +80°C	PN-EN 17192:2019
Reaction to fire	D-s3,d2 (DN 125) E (DN 160,200)	190
Resistance	No deformation at 3% deflection and 35 N load	230
Thermal conductivity	$\lambda = 0,038 \text{ W/(m}\cdot\text{k)}$	PN-EN 12664:2002
Thermal resistance	$U = 0,3947 \text{ m}^2\text{K/W}$	PN-EN 12664:2002
Microbial resistance	1a	Method A PN-EN ISO 846:2019

### Assembly method

