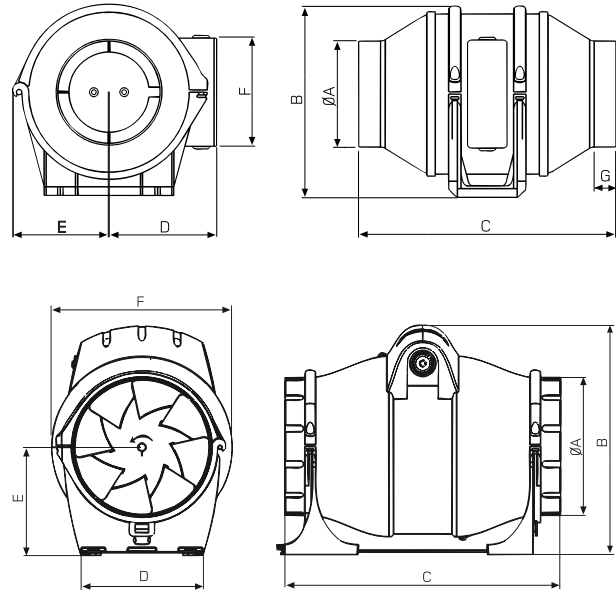


Round duct fan DV-PP



Dimensions



Description

This round ducted fan model is designed for use in low-particulate ventilation systems and boasts a high performance at a low noise level. The ducted fan can be installed horizontally or vertically; the standardized design allows removal and maintenance without the need to open the ductwork.

Material:

- housing: PP (polypropylene)
- rotor: ABS

Protection rating: IP44

Insulation class: B

Product code example

Product code: DV - aaa

type _____
ØA _____

Type	ØA [mm]	B [mm]	C [mm]	D [mm]	E [mm]	F [mm]	G [mm]
DV-PP-100-270	98	230	310	130	115	170	20
DV-PP-125-320	122	217	262	100	100	168	21
DV-PP-150-560	147	244	293	130	115	192	21
DV-PP-160-560	157	244	313	130	115	192	21
DV-PP-200-910	197	278	354	142	140	230	52

*Given the current EU Ecodesign of Energy Related Products Directive, the technical parameters of the fans may vary. See the specifications on the nameplate.

Technical specifications

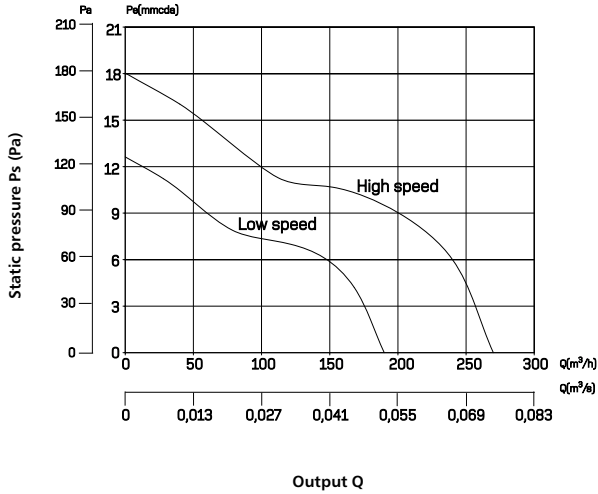
Type	Output (m³/h)	Power input (W)	Current (A)	Speed (rpm)	Voltage (V)	Noise level (dB)
DV-PP-100-270	270/190	30/18	0.18/0.10	2300/1700	230	30/24
DV-PP-125-320	365/250	30/18	0.18/0.10	2300/1700	230	32/26
DV-PP-150-560	595/420	80/60	0.36/0.27	2700/2000	230	33/27
DV-PP-160-560	595/425	80/60	0.36/0.27	2700/2000	230	33/27
DV-PP-200-910	910/820/720	85/65/55	0.34/0.27/0.24	2700/2000/1800	230	39/34/32

Round duct fan

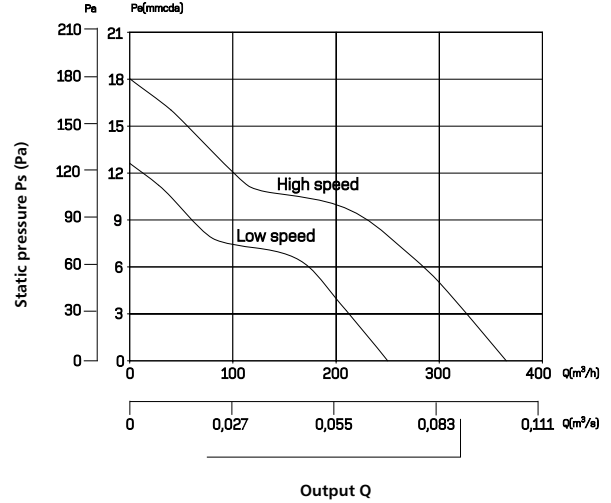
DV-PP

Charts

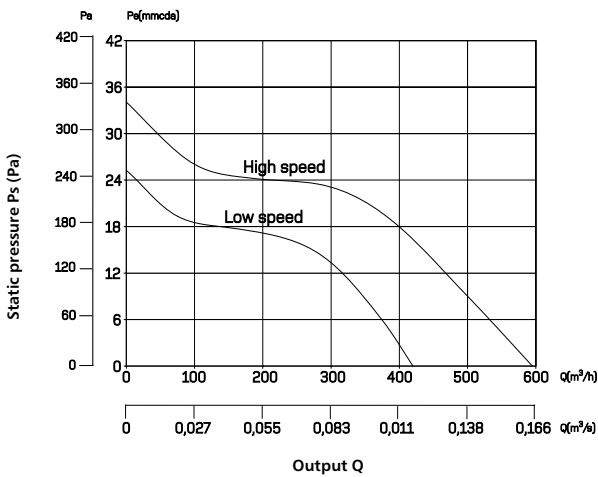
DV-PP-100-270 fan flow characteristics



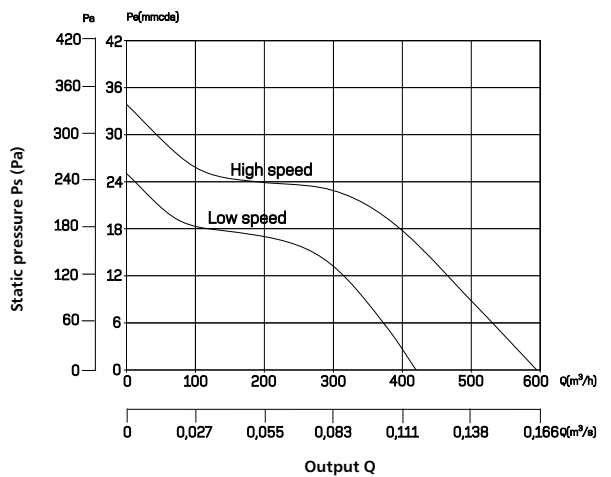
DV-PP-125-320 fan flow characteristics



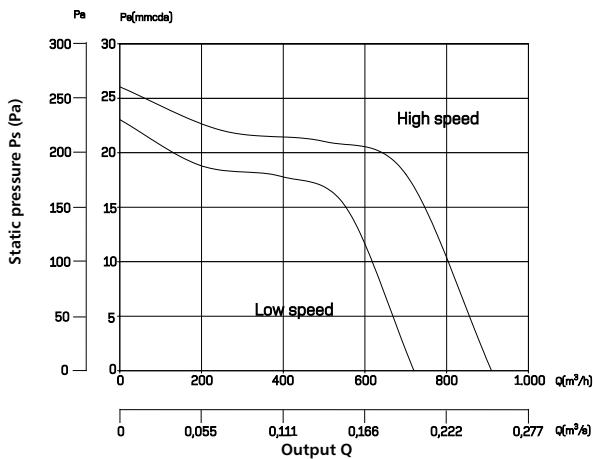
DV-PP-150-560 fan flow characteristics



DV-PP-160-560 fan flow characteristics



DV-PP-200-910 fan flow characteristics



Round duct fan DV-PP

Energy class

Model	Noise level (dB)	Output (m ³ /h)	Energy class
DV-PP-100-270	30/24	270/190	E
DV-PP-125-320	32/26	365/250	E
DV-PP-150-560	33/27	595/420	E
DV-PP-160-560	33/27	595/425	E
DV-PP-200-910	39/34/32	910/820/720	E

