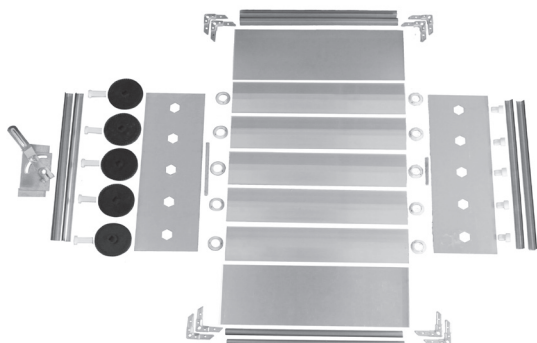


Square damper prefabricated components

DSQW-PREF



Description

DSQW damper components are kits intended for DIY fabrication. Required components: 2x QSB side angles - height and the number of holes according to the overall damper height, QPA aluminium damper blades - 100 mm high (length equal to the ductwork clear width and quantity according to the overall damper height), QKZ gears in a quantity equal to the number of damper blades, QOTD long gear shafts, short shafts for QPL-8 bearings installed in QSB holes — i.e. its quantity is always 2x the number of the gears and shafts. Building a damper requires adding the following components: PQ angle sections, NQ corner straps, sheet panels for the top and bottom angles, a control linkage rod, and KKS-2 damper mechanism (if the unit is to be adjusted by hand).

Available materials — Product code examples

... — aluminium sheet

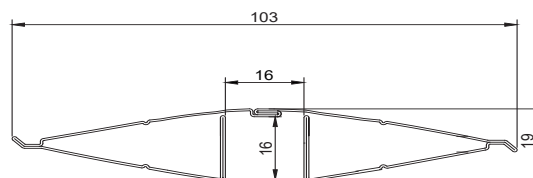
Product code example

Product code: type

Dimensions

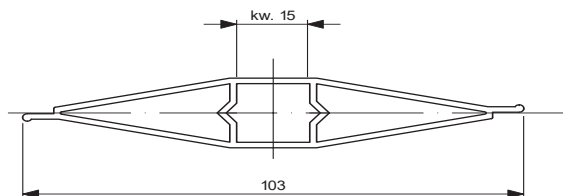
QPC

Galvanized steel damper blade for galvanized steel dampers: sold in units of 5 metres.



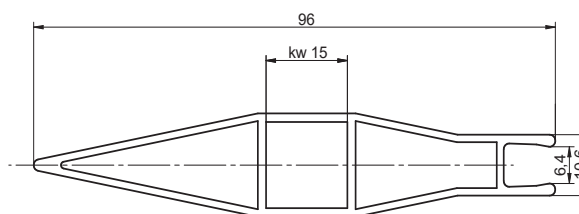
QPA

Aluminium damper blade for galvanized steel dampers: sold in units of 5 metres.



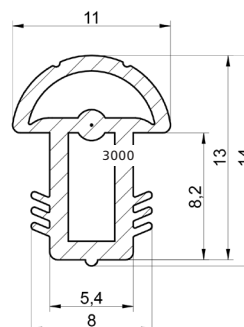
QPA-L

Aluminium damper blade with single-sided gasket seat for galvanized steel dampers: sold in units of 5 metres.



QPA-EPDM

Gasket for the QPA-L aluminium blade: sold in units of 50 metres.



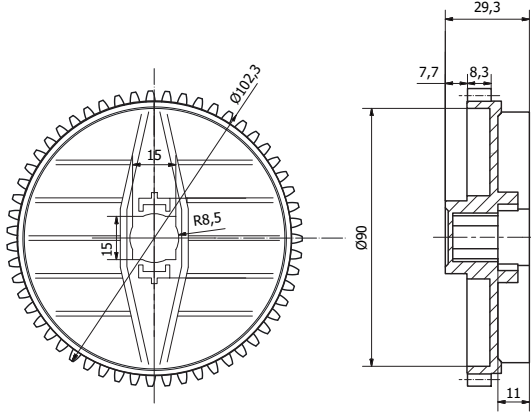
Square damper prefabricated components

DSQW-PREF

Dimensions

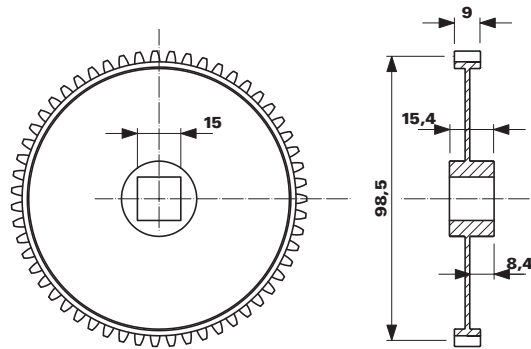
QKZ-C

ABS gear for QPC profile.



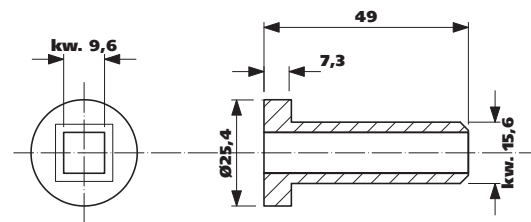
QKZ

PVC gear.



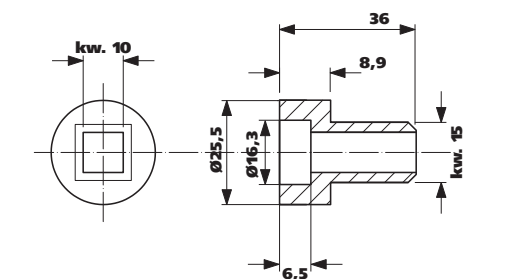
QOTD

Long plastic gear shaft.



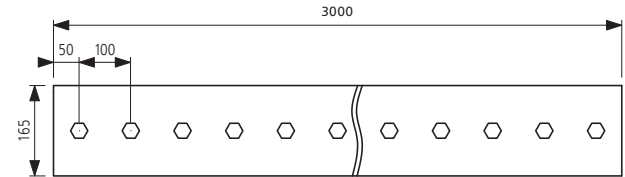
QOTK

Short plastic shaft.



QSB-165

Side part for galvanized steel dampers: sold in units of 3 metres.



QPL-8

PVC hex-flat bearing.

