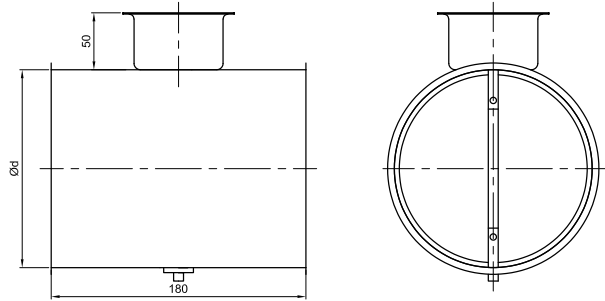


Airtight closing damper

# DATQT / DATQT-B



## Dimensions



## Description

The DATQT damper is made of galvanized steel sheet, it is used to regulate the air flow in TRANS-Quick dust extraction system and enables airtight shut-off of the airflow due to the additional seal on the closing element. This damper is also available in the DATQT-B version - which has a thicker rod and additional reinforcements. The damper position indicator is visible on the handle, adjustment is possible within  $0^\circ \div 90^\circ$ . Available in 0.7 and 0.9 mm thickness.

### Available materials - designation example

DATQT-... - galvanized steel sheet  
 DATQT-B-... - galvanized steel sheet + reinforcement

### Designation example

Product code: **DATQT - aaa - bbb**



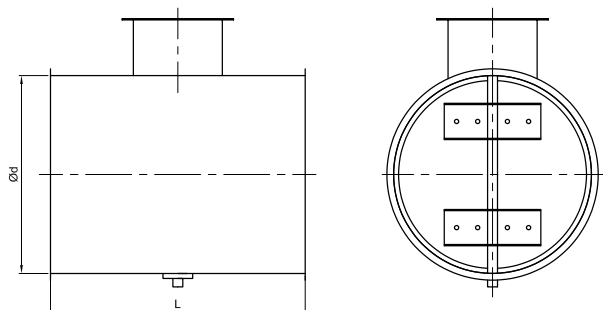
| Product code | Diameter Ød (mm) | Length L (mm) |
|--------------|------------------|---------------|
| DATQT-100    | 100              | 180           |
| DATQT-125    | 125              | 180           |
| DATQT-150    | 150              | 180           |
| DATQT-160    | 160              | 180           |
| DATQT-180    | 180              | 180           |
| DATQT-200    | 200              | 180           |
| DATQT-225    | 225              | 180           |
| DATQT-250    | 250              | 180           |
| DATQT-300    | 300              | 180           |
| DATQT-315    | 315              | 180           |
| DATQT-350    | 350              | 180           |
| DATQT-400    | 400              | 180           |
| DATQT-450    | 450              | 180           |
| DATQT-500    | 500              | 180           |
| DATQT-550    | 550              | 180           |
| DATQT-600    | 600              | 180           |

# Airtight closing damper

## DATQT / DATQT-B

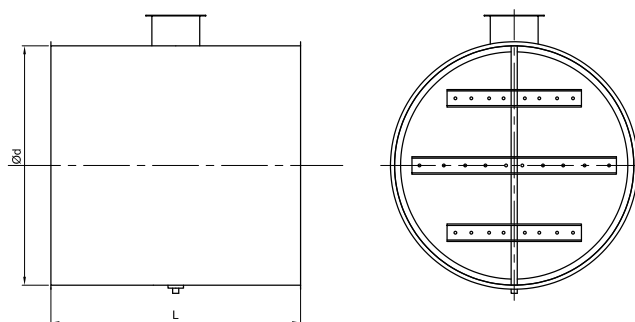
### Dimensions

DATQT-B



| Product code | Diameter Ød (mm) | Length L (mm) |
|--------------|------------------|---------------|
| DATQT-B-100  | 100              | 200           |
| DATQT-B-125  | 125              | 200           |
| DATQT-B-140  | 140              | 200           |
| DATQT-B-160  | 160              | 200           |
| DATQT-B-200  | 200              | 200           |
| DATQT-B-225  | 225              | 200           |
| DATQT-B-250  | 250              | 200           |
| DATQT-B-280  | 280              | 200           |
| DATQT-B-315  | 315              | 265           |
| DATQT-B-350  | 350              | 265           |
| DATQT-B-400  | 400              | 265           |

DATQT-B Ød>400



| Product code | Diameter Ød (mm) | Length L (mm) |
|--------------|------------------|---------------|
| DATQT-B-450  | 450              | 305           |
| DATQT-B-500  | 500              | 400           |
| DATQT-B-550  | 550              | 400           |
| DATQT-B-630  | 630              | 500           |
| DATQT-B-710  | 710              | 600           |
| DATQT-B-800  | 800              | 600           |
| DATQT-B-900  | 900              | 600           |
| DATQT-B-1000 | 1000             | 600           |