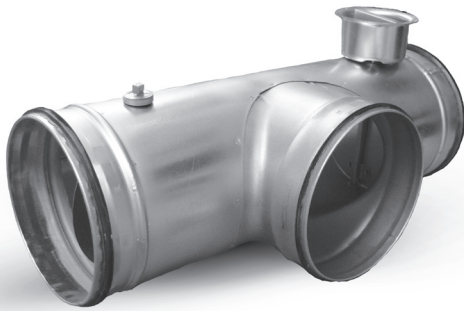


T-piece double damper for SPIRAL ducts

DATASL



Description

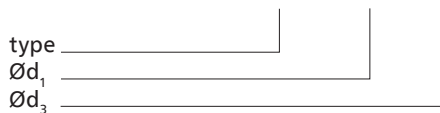
The DATASL T-piece double regulating dampers for round ductwork systems can replace two standard DASL dampers. The alternate-opening link which couples both closures of the damper helps close one closure and at the same time open the other closure using a single damper mechanism. This design can save approximately 20 to 30% of installation space and helps avoid coupling two separate dampers with T-pieces and MSF couplings. The double EDPM gasket at each flange provides the best air tightness class D as per EN 12237:2005.

Available materials — Product code examples

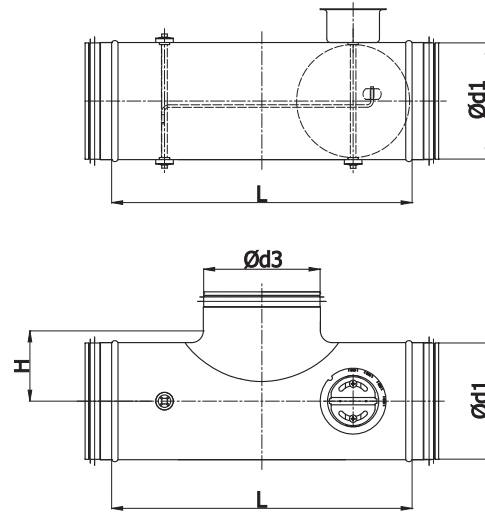
DATASL-... — galvanized steel sheet

Product code example

Product code: **DATASL - aaa - bbb**



Dimensions



$\varnothing d_{1\ nom}$ (mm)	$\varnothing d_{3\ nom}$ (mm)	L (mm)	H (mm)	Weight (kg)
100	100	280	65	1.1
125	125	345	83	1.5
160	160	385	105	2.0
200	200	425	125	2.8
250	250	520	150	4.1
315	315	585	182	5.9
400	400	645	225	8.3

Bypass dampers
DATASL

Technical specifications

