

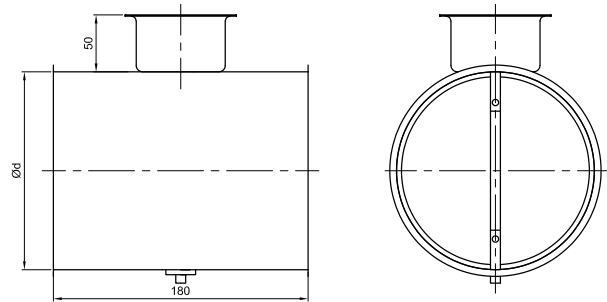
Regulating damper

DASQT / DASQT-B



Dimensions

DASQT



Description

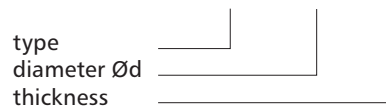
DASQT damper is made of galvanized steel sheet, it is used to regulate the air flow in TRANS-Quick dust extraction system when airtight seal is not required. This damper is also available in the DASQT-B airtight version - which also has a thicker rod and additional reinforcements. The damper position indicator is visible on the handle, adjustment is possible within $0^\circ \div 90^\circ$. Available in 0.7 and 0.9mm thickness.

Available materials - designation example

DASQT-... - galvanized steel sheet
 DASQT-B-... - galvanized steel sheet + reinforcement

Designation example

Product code: **DASQT - aaa - bbb**



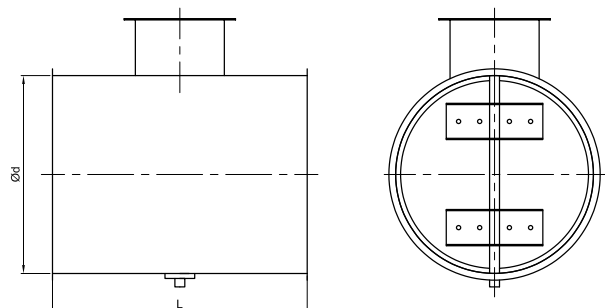
Product code	Diameter Ød (mm)	Length L (mm)
DASQT-100	100	180
DASQT-125	125	180
DASQT-150	150	180
DASQT-160	160	180
DASQT-180	180	180
DASQT-200	200	180
DASQT-225	225	180
DASQT-250	250	180
DASQT-300	300	180
DASQT-315	315	180
DASQT-350	350	180
DASQT-400	400	180
DASQT-450	450	180
DASQT-500	500	180
DASQT-550	550	180
DASQT-600	600	180

Regulating damper

DASQT / DASQT-B

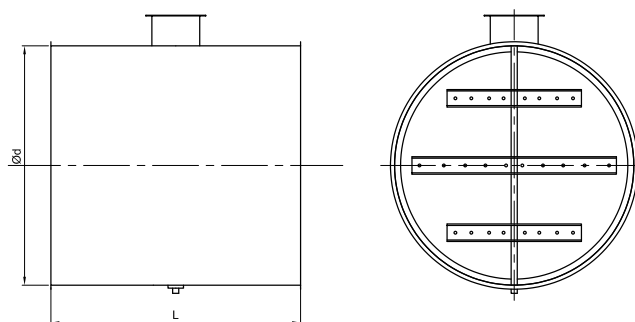
Dimensions

DASQT-B



Product code	Diameter Ød (mm)	Length L (mm)
DASQT-B-100	100	200
DASQT-B-125	125	200
DASQT-B-140	140	200
DASQT-B-160	160	200
DASQT-B-200	200	200
DASQT-B-225	225	200
DASQT-B-250	250	200
DASQT-B-280	280	200
DASQT-B-315	315	265
DASQT-B-350	350	265
DASQT-B-400	400	265

DASQT-B Ød>400



Product code	Diameter Ød (mm)	Length L (mm)
DASQT-B-450	450	305
DASQT-B-500	500	400
DASQT-B-550	550	400
DASQT-B-630	630	500
DASQT-B-710	710	600
DASQT-B-800	800	600
DASQT-B-900	900	600
DASQT-B-1000	1000	600