

DASLI



Description

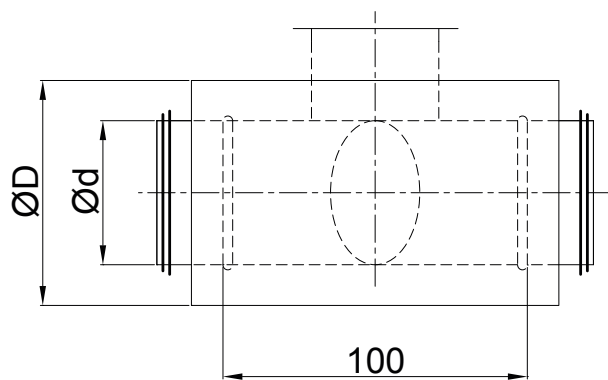
The DASLI dampers can be installed in ductwork systems which do not require full air tightness. The damper blade position is read from the control handle, which can be locked in position with screws.

Product code example

Product code: **DASLI - 25 - 200**

type _____
 insulation _____
 Ød _____

Dimensions



isolation 10 mm

Ød [mm]	ØD [mm]	Weight [kg]	Ød [mm]	ØD [mm]	Weight [kg]
80	100	0.5	140	150	0.9
100	125	0.7	160	180	1.2
125*	160	0.9	180	200	1.3

*standard DASLI-10-125 is made of the outer jacket of diameter d=160mm, it is possible to order the execution of the outer jacket with a diameter of 150mm, then the sign is as follows: DASLI-10-125-150

isolation 16 mm

Ød [mm]	ØD [mm]	Weight [kg]	Ød [mm]	ØD [mm]	Weight [kg]
80	112	0.5	160	192	1.0
100	132	0.7	200	232	1.4
125	157	0.8	250	280	1.8

25 mm insulation

Ød [mm]	ØD [mm]	Weight [kg]	Ød [mm]	ØD [mm]	Weight [kg]
100	150	0.9	250	300	2.5
125	180	1.1	280	315	3.1
140	200	1.2	300	355	3.4
150	200	1.3	315	355	3.7
160	224	1.4	355	400	4.4
180	224	1.5	400	450	5.5
200	250	1.9	450	500	6.5
224	280	2.1	500	560	7.4