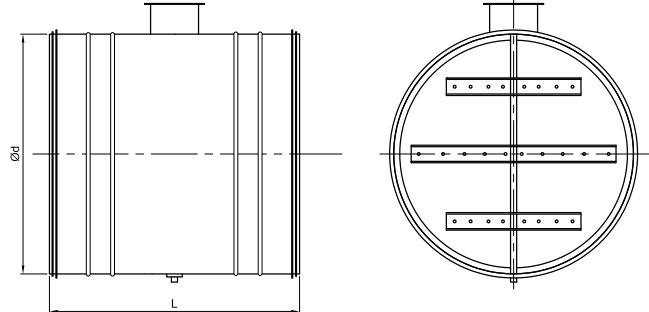


# Reinforced round shutoff damper

## **DASL-B / DAS-B**



### Dimensions



### Description

The DASL-B shutoff damper with EPDM gaskets is designed for cladding with up to 50 mm thick insulation. The damper closure angle range is 0° to 90° and can be read on the handle dial. The differences in design regarding a standard DASL are: additional folding in the housing, reinforcements on the damper blade, thicker hinge rod (12x12mm), brass bearings. Used materials provide temperature resistance up to 110°C (200°C for DAS-B without gasket).

#### Available materials - Product code examples

DASL-B-... - galvanized steel sheet  
 DASL-B-K-... - 1.4404 / 316L stainless steel sheet

#### Product code example

Product code: **DASL-B - aaa**

type \_\_\_\_\_  
 Ød \_\_\_\_\_

Ød (mm)	L (mm)	Weight (kg)
100	200	1.00
125	200	1.08
140	200	1.14
160	200	1.24
200	200	1.40
224	200	1.49
250	200	1.61
280	200	1.77
315	265	2.21
355	265	2.47
400*	265	4.58
450*	305	5.85
500*	400	7.78
560*	400	8.76
630*	500	11.62
710*	600	15.39
800*	600	17.50
900*	600	19.96
1000*	600	22.49

\*bumpers added