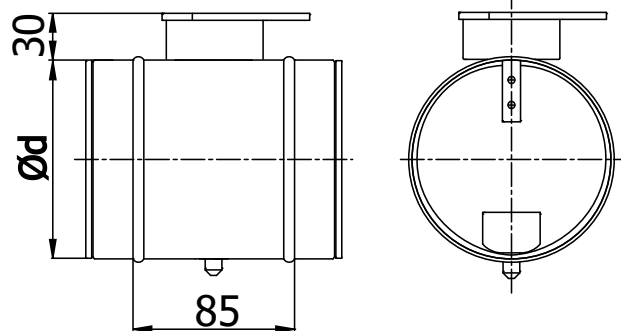


Round ventilation damper w/o gaskets

DAS-PVC/DASL-PVC



Dimensions



Description

The DAS-PVC dampers are designed for cladding with up to 30 mm thick insulation.

The DAS-PVC shutoff damper is a good choice when the ductwork closure does not have to be fully airtight. The damper closure position can be read on the 0° to 90° dial of the control handle. The damper closure opening ratio can be fixed with a screw. The product has safe edges.

DAS-PVC - airtight shutoff damper

DASL-PVC - airtight shutoff damper with gaskets at flanged ends

Available materials - Product code examples

- DAS-PVC-... - galvanized steel sheet
- DAS-PVC-K... - 1.4301/304 stainless steel sheet
- DAS-PVC-K-...-316L - 1.4404/316L stainless steel sheet
- DAS-PVC-A-... - aluminium sheet
- DAS-PVC-CU-... - copper sheet
- DAS-PVC-ZM-... - ZM310 coating

Product code example

Product code: **DAS-PVC** - aaa

type					
Ød					

<i>Ød</i> [mm]	<i>Weight</i> [kg]
80	0.40
100	0.46
125	0.55
140	0.60
150	0.65
160	0.70
180	0.75
200	0.80
224	0.90
250	1.10
280	1.30
300	1.45
315	1.50