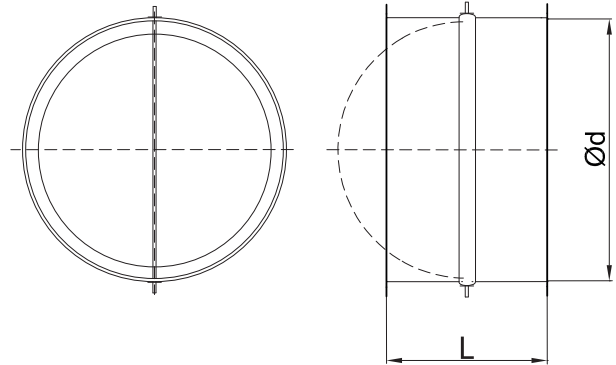


Backdraft damper for TRANS-Quick system

DAOSQT



Dimensions



Description

The DAOSQT backdraft damper automatically closes the ventilation duct when there is no airflow (the exhaust is switched off). The damper prevents reverse airflow and natural airflow in the ductwork. The use of a foam seal eliminates the noise when closing the damper, the split flap closure is held closed with a spring gear, which makes it also possible to use the damper in vertical installations.

Available materials - designation example
DAOSQT-... - galvanized steel sheet

Designation example

Product code: **DAOSQT - aaa**

type
diameter Ød

Product code	Diameter Ød [mm]	L [mm]
DAOSQT-100	100	80
DAOSQT-125	125	80
DAOSQT-150	150	80
DAOSQT-160	160	80
DAOSQT-180	180	80
DAOSQT-200	200	80
DAOSQT-225	225	80
DAOSQT-250	250	80
DAOSQT-300	300	80
DAOSQT-315	315	80
DAOSQT-350	350	100
DAOSQT-400	400	100
DAOSQT-450	450	100
DAOSQT-500	500	100