

# Round non-return damper - airtightness class D

## DAOSL



### Description

The DAOSL dampers are designed for ventilation ductwork systems which require air tightness class D according to EN 12237 requirements. These dampers feature a split flap closure and are designed as non-return dampers which allows a single air flow direction only. The damper closure has approximately air tightness class 2 as per EN 1751:2002, without full class compliance. Both closure flaps are made of light-weight aluminium sheet and hinged on a steel bar with springs which keep the flaps closed when there is no air flow. This damper is often installed upstream of an air intake or an air exhaust unit to prevent the air backflow.

#### Available materials - Product code examples

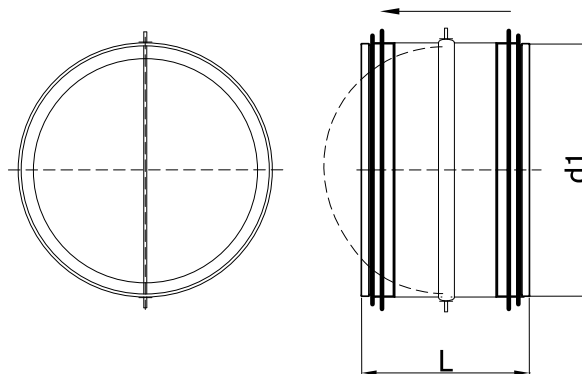
- DAOSL-... - galvanized steel sheet
- DAOSL-K-... - 1.4301/304 stainless steel sheet
- DAOSL-K-...-316L - stainless steel sheet 1.4404 / 316L - the change of material concerns the casing, the rest is made according to the standard for DAOS-K
- DAOSL-A-... - aluminium sheet - the change of material concerns the casing, the rest is made according to the standard for DAOS-K

#### Product code example

Product code: **DAOSL - aaa**

type \_\_\_\_\_  
 Ød<sub>1</sub> \_\_\_\_\_

### Dimensions



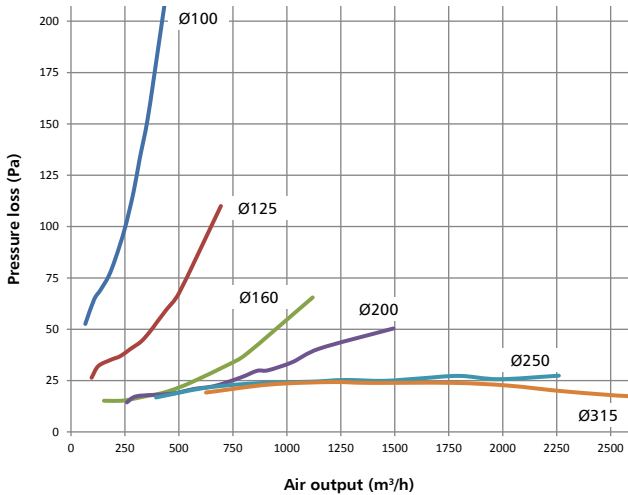
Ød <sub>1 nom</sub> [mm]	L [mm]	Weight [kg]
80	130	0.2
100	130	0.2
125	130	0.3
150	130	0.4
160	130	0.4
180	130	0.4
200	130	0.5
250	190	0.8
300	190	0.9
315	190	1.0
355	270	1.5
400	270	1.7
450	270	1.9
500	270	2.1

Diameter sizes up to Ød 560 mm are available on request.

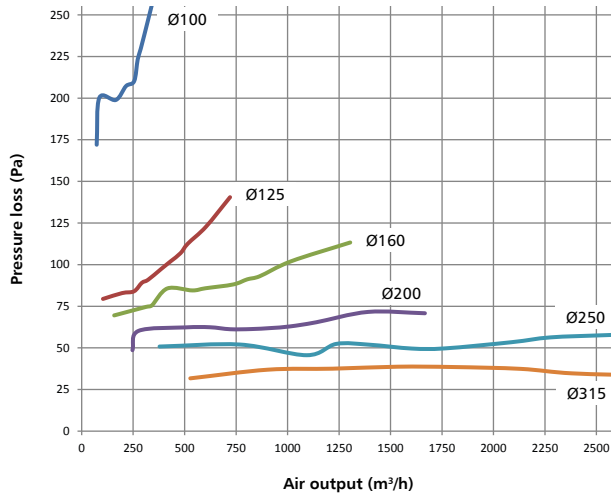
# DAOSL

## Technical specifications

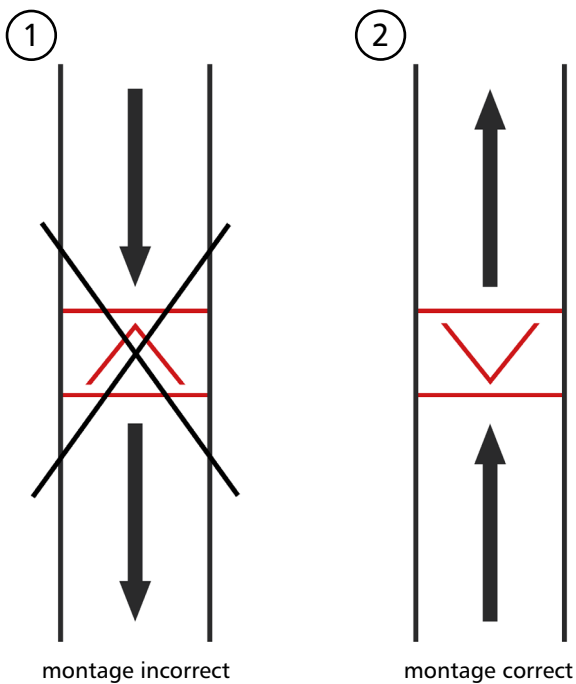
Pressure loss chart for DAOSL



Pressure loss chart for DAOSL-K



Vertical mounting is allowed as shown in the figure below:



➔ - airflow direction

Air tightness chart for DAOSL

