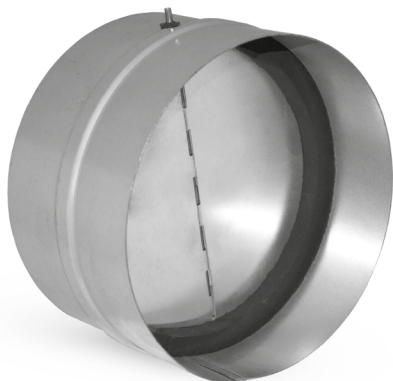


Round non-return damper

DAOS



Description

The DAOS dampers feature a split flap closure and allow the air flow to pass in one direction only. The aluminium closure flaps are pressed against a foam seal when closed to reduce the operating noise in the ductwork. The split flap closure is held closed with a spring gear, which makes it also possible to use the damper in vertical installations.

Available materials - Product code examples

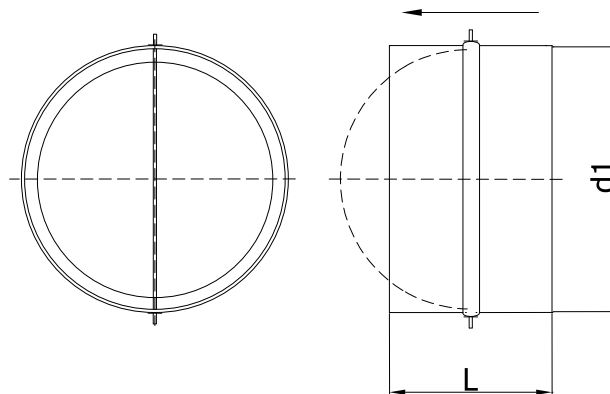
- DAOS-... - galvanized steel sheet
- DAOS-K... - 1.4301/304 stainless steel sheet
- DAOS-K-...-316L - stainless steel sheet 1.4404 / 316L - the change of material concerns the casing, the rest is made according to the standard for DAOS-K
- DAOS-A-... - aluminium sheet - the change of material concerns the casing, the rest is made according to the standard for DAOS-K

Product code example

Product code: **DAOS - aaa**

type _____
 Ød₁ _____

Dimensions



| Ød _{1 nom} [mm] | L [mm] | Weight [kg] |
|-----------------------------|-----------|----------------|
| 80 | 81 | 0.1 |
| 100 | 81 | 0.1 |
| 125 | 81 | 0.2 |
| 150 | 81 | 0.2 |
| 160 | 81 | 0.2 |
| 180 | 81 | 0.3 |
| 200 | 81 | 0.3 |
| 250 | 190 | 0.8 |
| 300 | 190 | 0.9 |
| 315 | 190 | 1.0 |
| 355 | 270 | 1.5 |
| 400 | 270 | 1.7 |
| 450 | 270 | 1.9 |
| 500 | 270 | 2.1 |

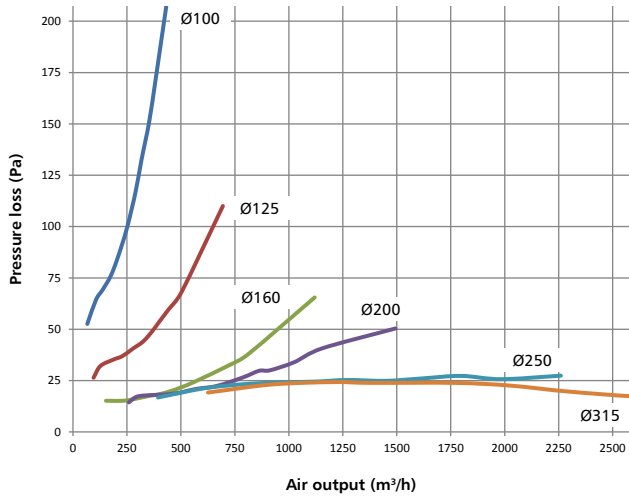
Diameter sizes up to Ød 560 mm are available on request.

Round non-return damper

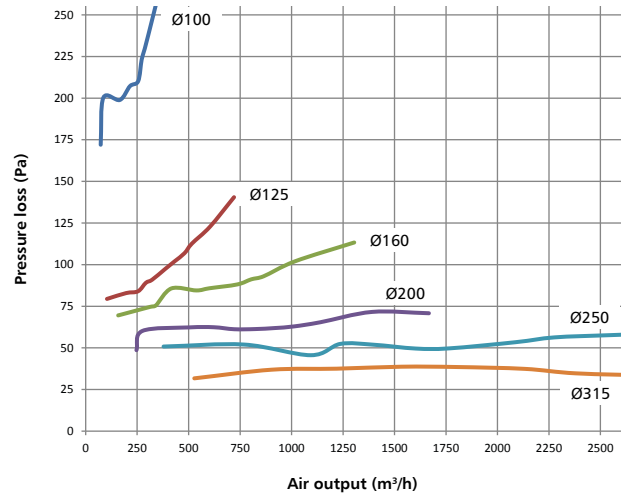
DAOS

Technical specifications

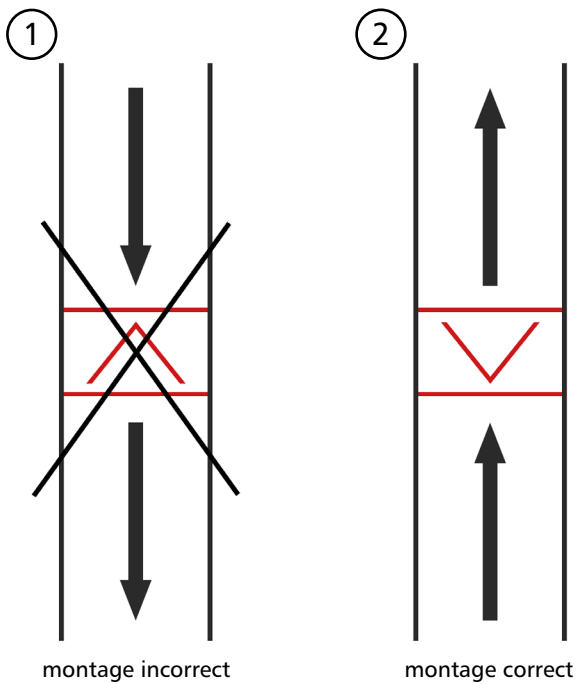
Pressure loss chart for DAOS



Pressure loss chart for DAOS-K



Vertical mounting is allowed as shown in the figure below:



➔ - airflow direction