

# Prefabricated components for stainless steel air intake and exhaust units

## CSQ-K-PREF/WSQ-K-PREF



### Description

The main prefabricated components for louvre air intake and exhaust units include: exhaust frame profile with marked locations for WGO self-drilling screws, louvre blades which shield the opening from rain and birds, and side angle corner piece. The fabrication of air intakes also requires using SIA wire mesh, size 12.7x12.7 mm.

The frame profile and the blades are also available in aluminium sheet.

**Available materials — Product code examples**  
 ...-K - stainless steel sheet

#### Product code example

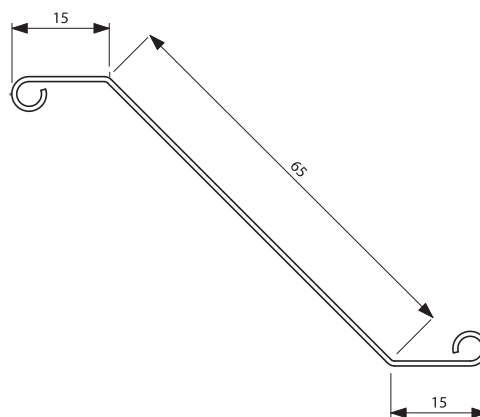
Product code: QPPC-K

type \_\_\_\_\_

### Dimensions

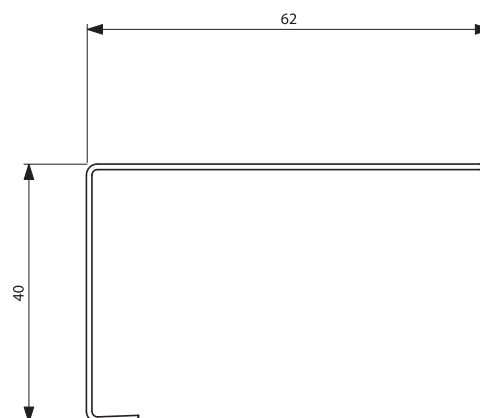
#### QPPC-K

Louvre blade for 1.4016 stainless steel air intake / exhaust units: sold in units of 2.5 metres



#### QPRC-K

Frame profile for 1.4016 stainless steel air intake / exhaust units: sold in units of 2.5 metres.



#### QNT-K

Corner piece for 1.4016 stainless steel air intake / exhaust units

