

Roof curb for square roof bases

CQKD**Description**

CQKD roof curbs are installed on the roof surface as supports for PDQ-AI and PDQ-All roof bases. The product is available in galvanized steel, stainless steel and aluminium, plus versions with or without thermal insulation, and with a straight duct or a bend.

The standard insulating layer thickness is 50 mm. Sloping roof curbs are designed for sloping roofs. The standard overall height of the roof curb is 500 mm. Any overall height and maximum dimensions up to 1800x1800 mm can be produced on request..

Made of stainless steel sheet:

The minimum size of the sides: 200x200 mm
The maximum size of the sides: 1800x1800

Made of aluminium sheet:

The minimum size of the sides: 200x200 mm
The maximum size of the sides: 1000x1000

Available versions:

CQKD - roof curbs without thermal insulation
CQKDI - roof curbs with thermal insulation

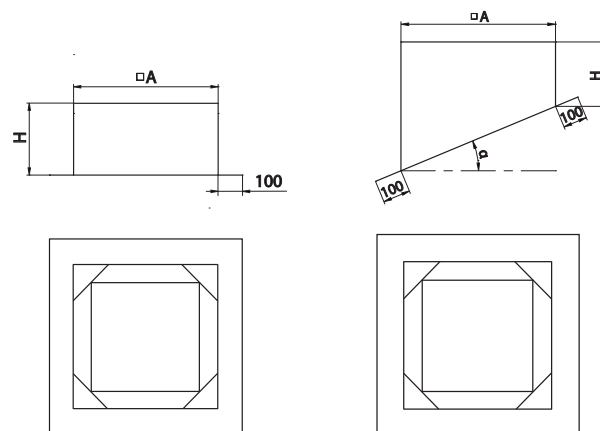
Available materials - Product code examples

CQKDI-50-...-... - galvanized steel sheet
CQKDI-50-K-...-... - 1.4301/304 stainless steel sheet
CQKDI-50-K-...-...-316L - 1.4404/316L stainless steel sheet, molybdenum-enriched
CQKDI-50-A-...-... - aluminium sheet

Product code example

Product code: **CQKDI - 50 - AxB - α**

type _____
insulation _____
size _____
angle _____

Dimensions

Size [mm]	A [mm]	H [mm]
200x200	458	500
300x300	586	500
400x400	715	500
500x500	845	500
600x600	974	500
700x700	1103	500
800x800	1232	500
900x900	1361	500
1000x1000	1491	500
1100x1100	1620	500
1200x1200	1749	500
1300x1300	1877	500
1400x1400	2006	500
1500x1500	2115	500

The standard version (up to 1500x1500) ensures compatibility with other ventilation products, such as roof curbs, hood bases, air intake and exhaust hoods. Not all products can be manufactured with bigger dimensions.