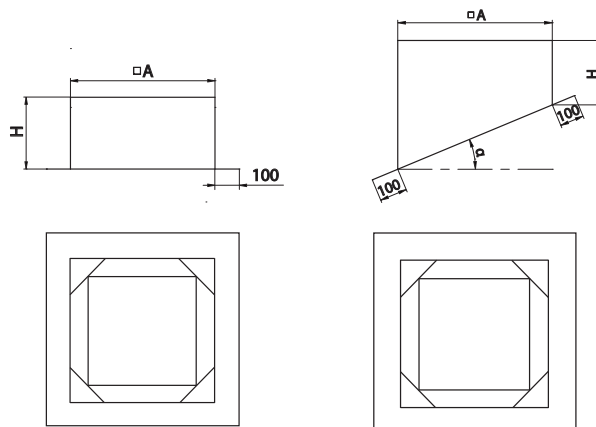


Roof curb for round roof bases

COKD



Dimensions



Description

COKD roof curbs are installed on the roof surface as supports for PD-B1, PD-B2 and PD-B3 roof bases. The product is available in galvanized steel, stainless steel and aluminum, plus versions with or without thermal insulation, and with a straight duct or a bend.

The standard insulating layer thickness is 50 mm.

Sloping roof curbs are designed for sloping roofs.

The standard overall height of the roof curb is 500 mm. Any overall height can be produced on request.

Insulation:

COKD - non-insulated

COKDI - insulated

Available materials — Product code examples

COKD-...-... - galvanized steel sheet

COKD-K-...-... - 1.4301/304 stainless steel sheet

COKD-K-...-...-316L - 1.4404/316L stainless steel sheet

Product code example

Product code: COKDI - 50 - Ød - α

type _____

insulation _____

size _____

angle _____

Size	A [mm]	H [mm]
100	270	500
125	290	500
140	350	500
150	370	500
160	390	500
200	430	500
250	460	500
300	500	500
315	520	500
355	600	500
400	620	500
450	710	500
500	730	500
560	790	500
630	890	500
710	1010	500
800	1090	500
1000	1260	500