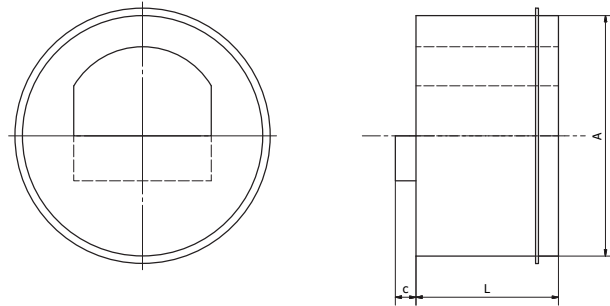


CAV air flow regulator

CFR-PVC / CFR-PVC-HP



Dimensions



Description

The CFR-PVC is a Constant Air Velocity regulator which automatically controls the volumetric air flow. When the air flow pressure is rising, the CAV damper automatically closes to maintain a steady air flow rate. The air flow regulator is dedicated for low-pressure ventilation systems (rated between 50 and 250 Pa) and fit for installation in horizontal or vertical ducts.

The air flow regulator can work in air supply and air exhaust systems alike. The control gear of the air flow regulator has a stainless steel spring. The CFR-PVC is made from PVC. The sizes from Ø125 up feature a stainless steel sleeve.

The air flow regulator should be installed at a distance equal to at least 3 times the duct diameter from the air supply vent and at a distance equal to at least 1 time the duct diameter from the air exhaust vent.

Product code example

Product code: CFR-PVC - aaa - bbb

type _____
 Ød₁ _____
 max. flow rate _____

Ød (mm)	A (mm)	L (mm)	C (mm)	Weight (g)
80	75.9	47	5	72.8
100	96.1	57	6	115
125	120.5	62	0	156.1
150	149	86	0	323
160	149	86	0	323
200	192.3	86	0	474.8
250	239.5	86	29	788.5

CAV air flow regulator

CFR-PVC / CFR-PVC-HP

Technical specifications

The model CFR-PVC is available with several performance ratings for every diameter size. The table below shows the air flow ratings for each version:

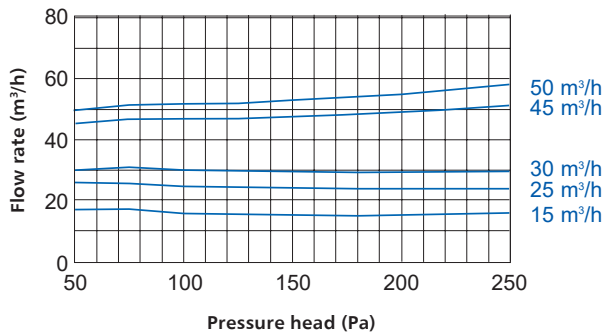
Ød [mm]	Air flow rate (m ³ /h)					
	15-50	50-100	100-180	180-300	300-500	500-700
80	X					
100	X	X				
125	X	X	X			
150	X	X	X	X		
160	X	X	X	X		
200	X	X	X	X	X	
250		X	X	X	X	X

For example: CFR-100-180 is an air flow regulator of diameter 100 mm and air flow rate 50 – 100 m³/h. The device is factory-set at the maximum output; it is possible to adjust the parameter according to the output adjustment chart displayed on the device.



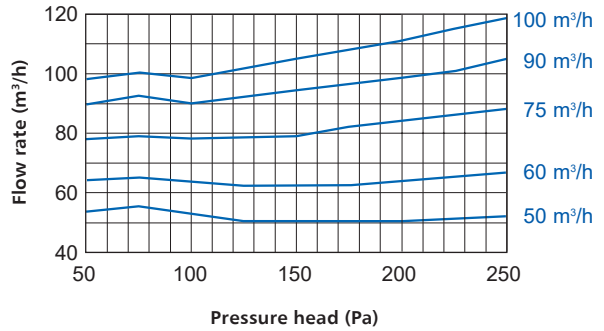
Selection charts

Air flow rate 15 – 50 m³/h

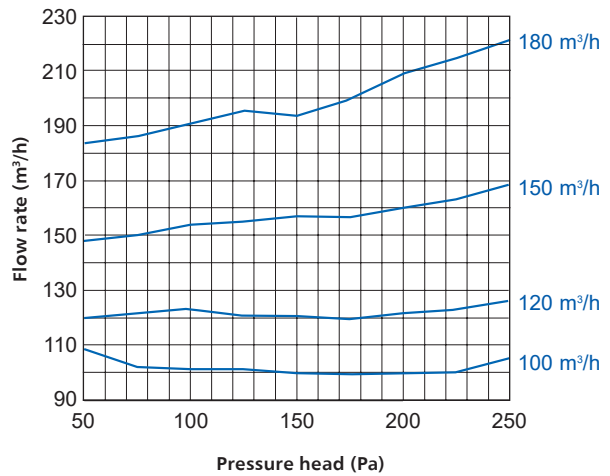


Różnica ciśnień [Pa]

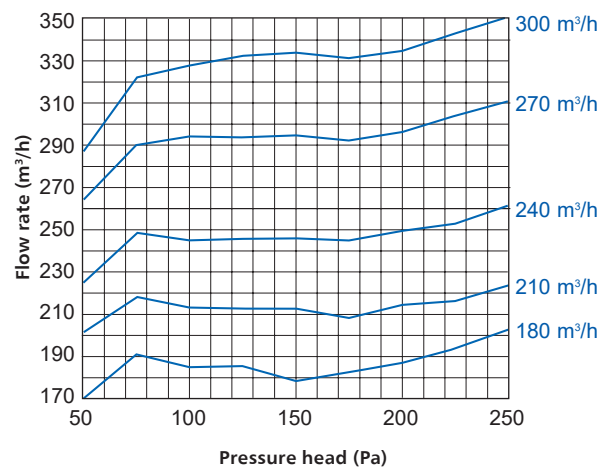
Air flow rate 50 – 100 m³/h



Air flow rate 100 – 180 m³/h



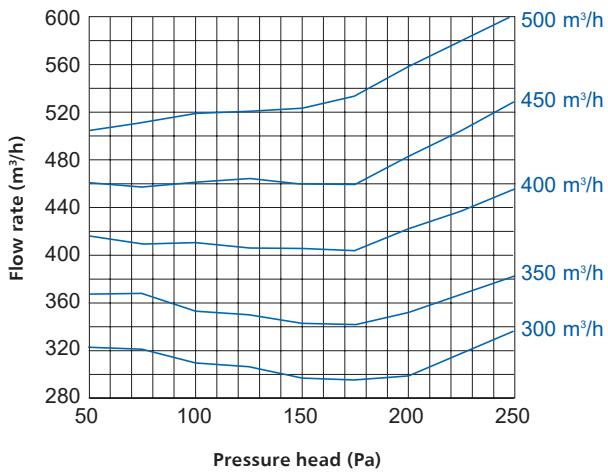
Air flow rate 180 – 300 m³/h



CAV air flow regulator

CFR-PVC / CFR-PVC-HP

Air flow rate 300 – 500 m³/h



Air flow rate 500 – 700 m³/h

