

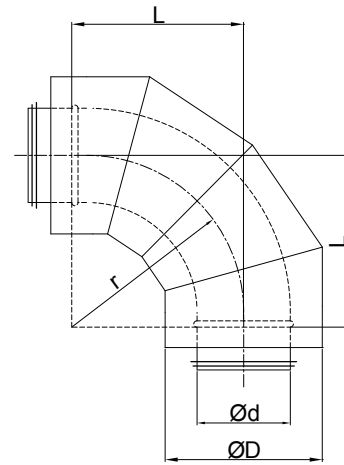
IZOL[®] system pre-insulated bends**BSLI-90****Description**

All BSLI pre-insulated bends consist of an inner duct bend with an EPDM gasket and an outer duct bend without gaskets.

Product code example

Product code: **BSLI - 25 - 200 - 90**

type _____
 Insulation _____
 Ød _____
 angle _____

Dimensions*isolation 10 mm*

Ød [mm]	ØD [mm]	L [mm]	Weight [kg]	Ød [mm]	ØD [mm]	L [mm]	Weight [kg]
80	100	100	0.6	140	160	140	1.6
100	125	100	0.8	160	180	160	2.0
125*	160	125	1.5	180	200	180	2.2

*standard BSLI-10-125-90 is made of the outer jacket of diameter d=160mm, it is possible to order the execution of the outer jacket with a diameter of 150mm, then the sign is as follows: BSLI-10-125-150-90

isolation 16 mm

Ød [mm]	ØD [mm]	L [mm]	Weight [kg]	Ød [mm]	ØD [mm]	L [mm]	Weight [kg]
80	112	100	0.7	160	192	160	2.1
100	132	100	0.9	200	232	200	3.2
125	157	125	1.3	250	280	250	4.7

25 mm insulation

Ød [mm]	ØD [mm]	Weight [kg]	Ød [mm]	ØD [mm]	Weight [kg]
100	150	1.5	250	300	6.0
125	180	2.1	280	315	7.6
140	200	2.6	300	355	9.3
150	200	2.7	315	355	10.4
160	224	2.9	355	400	12.7
180	224	3.0	400	450	15.7
200	250	4.0	450	500	23.2
224	280	4.8	500	560	24.0