

# BSLI-30



## Description

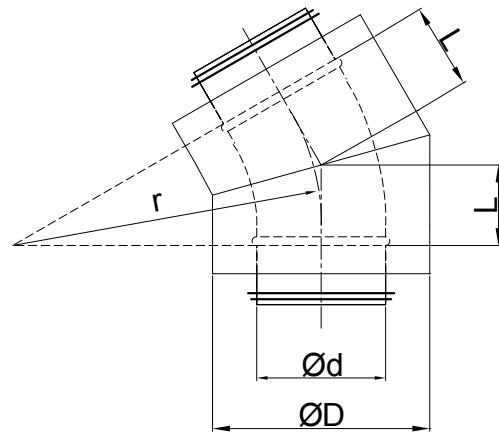
All BSLI pre-insulated bends consist of an inner duct bend with an EPDM gasket and an outer duct bend without gaskets.

### Product code example

Product code: **BSLI - 25 - 200 - 30**

type	_____
Insulation	_____
Ød	_____
angle	_____

## Dimensions



isolation 10 mm

Ød [mm]	ØD [mm]	L [mm]	Weight [kg]	Ød [mm]	ØD [mm]	L [mm]	Weight [kg]
80	100	27	0.3	140	160	45	0.8
100	125	27	0.4	160	180	50	1.0
125*	160	33	0.8	180	200	55	1.0

\* standard BSLI-10-125-30 is made of the outer jacket of diameter d=160mm, it is possible to order the execution of the outer jacket with a diameter of 150mm, then the sign is as follows: BSLI-10-125-150-30

isolation 16 mm

Ød [mm]	ØD [mm]	L [mm]	Weight [kg]	Ød [mm]	ØD [mm]	L [mm]	Weight [kg]
80	112	27	0.4	160	192	43	0.9
100	132	27	0.5	200	232	54	1.3
125	157	33	0.6	250	280	67	2.3

isolation 25 mm

Ød [mm]	ØD [mm]	Weight [kg]	Ød [mm]	ØD [mm]	Weight [kg]
100	150	0.8	250	300	2.8
125	180	1.0	280	315	3.5
140	200	1.2	300	355	4.1
150	200	1.3	315	355	4.7
160	224	1.3	355	400	6.1
180	224	1.5	400	450	7.6
200	250	1.8	450	500	8.5
224	280	2.5	500	560	10.7