

Long segmented bends

BSDL-90/BSD-90



Description

Segmented bends are designed for spiral ducts. They are made of 5 segments; the bends in diameters of DN 1120 mm and greater are made of 6 segments. The segments are fastened by hemming and seaming. BSDL bends feature sealed inside surfaces of the hemmed seams and double EPDM gaskets to provide air tightness class D according to EN 12237 for ventilation and heat recuperation systems. The bending radius is ca. 1.5D to reduce the pressure loss and the flow resistance along the ventilation system. The bending radius can be increased to 3D or 4D on request to further improve the flow resistance.



There is also available version with a female end - **BSDFL** code
or with two female ends - **BSDFF** code

Available materials - Product code example

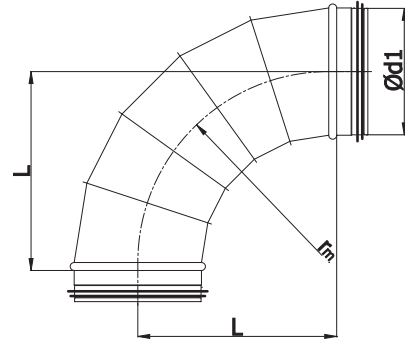
BSDL-... -90 - galvanized steel sheet
 BSDL-K-... -90 - 1.4301/304 stainless steel sheet
 BSDL-K-... -90-316L - 1.4404/316L stainless steel sheet, molybdenum-enriched
 BSDL-A-... -90 - AW-1050A H24 aluminium sheet
 BSDL-CU-... -90 - M1E z4 copper sheet

Product code example

Product code: **BSDL - aaa - 90**

type _____
 $\text{\O}d_1$ _____
 angle _____

Dimensions



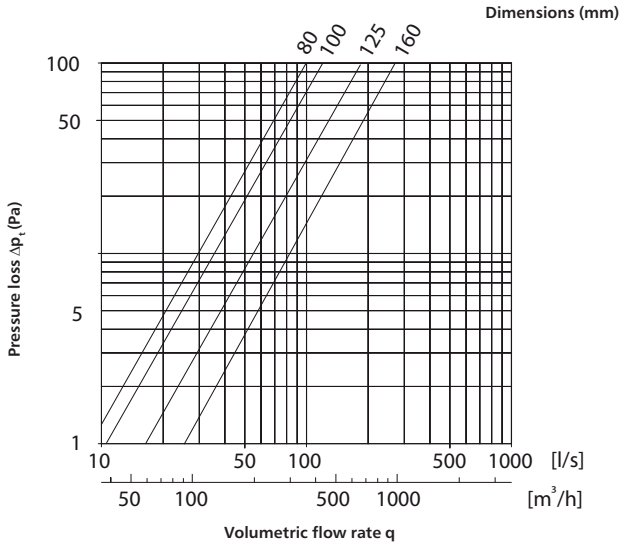
$$r_m \approx 1.5 \times d_1$$

$\text{\O}d_{1 \text{ nom}}$ (mm)	L (mm)	Weight (kg)
200	300	1.5
224	335	1.8
250	375	2.3
280	420	2.8
300	450	3.2
315	470	3.5
355	530	5.3
400	600	7.0
450	675	11.1
500	750	13.5
560	840	16.7
600	900	19.0
630	945	20.7
710	1065	31.7
800	1200	39.5
900	1350	49.2
1000	1500	60.9
1120	1680	84.9
1250	1875	104.3

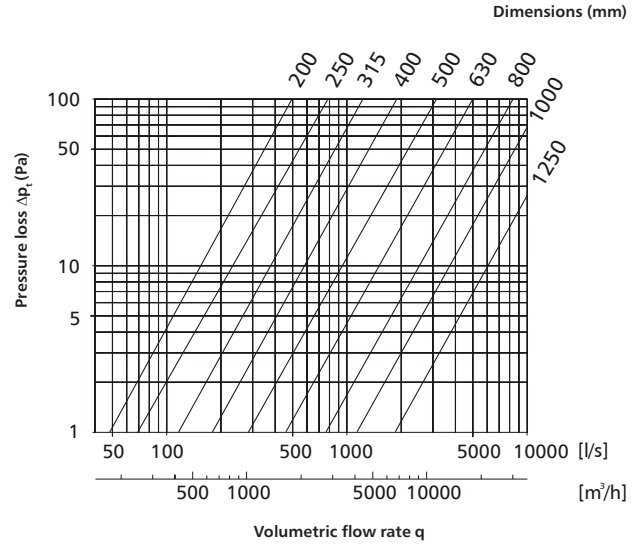
Technical specifications for 90° pressed and segmented bends **BPKL/BPL/BPDL/BSKL/BSL/BSDL**

Technical specifications

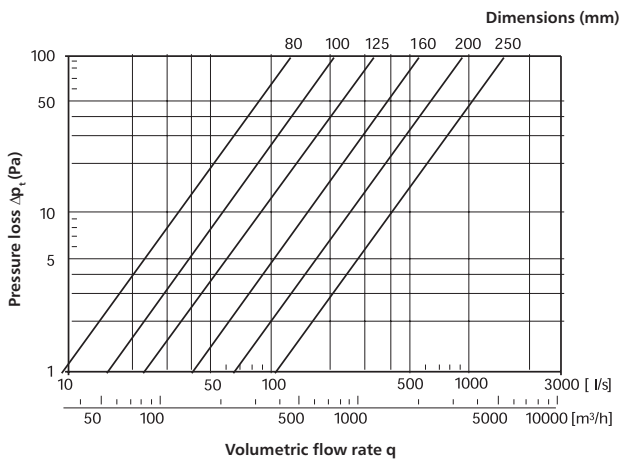
Flow chart for BPKL-90/BPK-90/BPKFL-90/BPKF-90



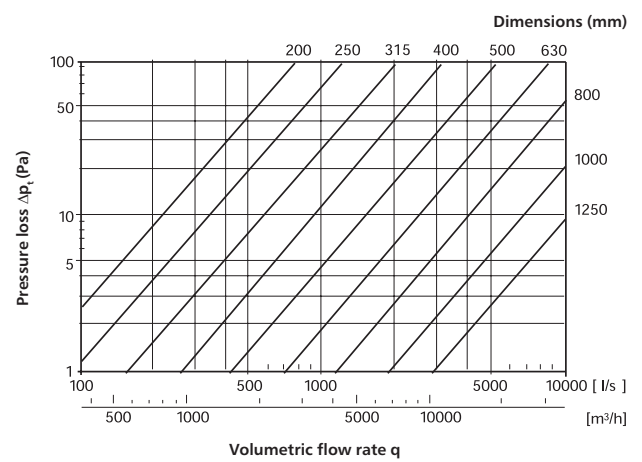
Flow chart for BSKL-90/BSK-90



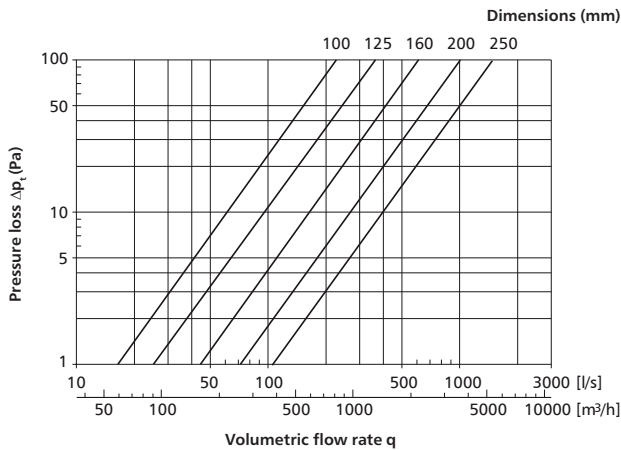
Flow chart for BPL-90/BP-90/BPL-K-90/BP-K-90



Flow chart for BSL-90/BS-90



Flow chart for BPDL-90/BPD-90



Flow chart for BSDL-90/BSD-90

