

Pressed bends with gaskets - stainless steel

BPL-K-90



Description

Pressed bends are designed for building ventilation systems based on SPIRAL ducts and plain ducts made from stainless steel sheet. Seam welds provide air tightness class C without the need to use any other sealants. The piece is connected with a duct by inserting one into the other. The pressed form of the ventilation piece helps to reduce the flow resistance and the pressure loss.

Steel grade: 1.4301



There is also available version with a female end - **BPFL-K** code or with two female ends - **BPFF-K** code.

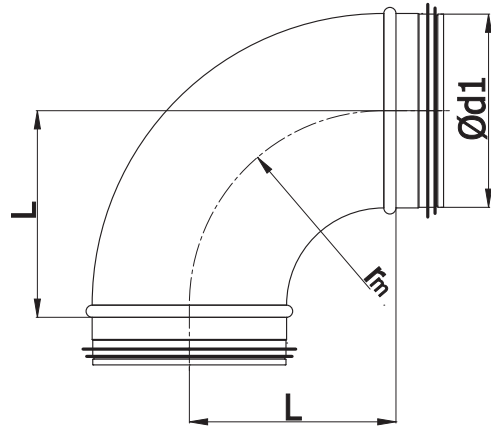
Available materials - Product code example
BPL-K-...-90 - 1.4301/304 stainless steel sheet

Product code example

Product code: **BPL-K- aaa - 90**

type _____
 $\text{\O}d_1$ _____
 angle _____

Dimensions



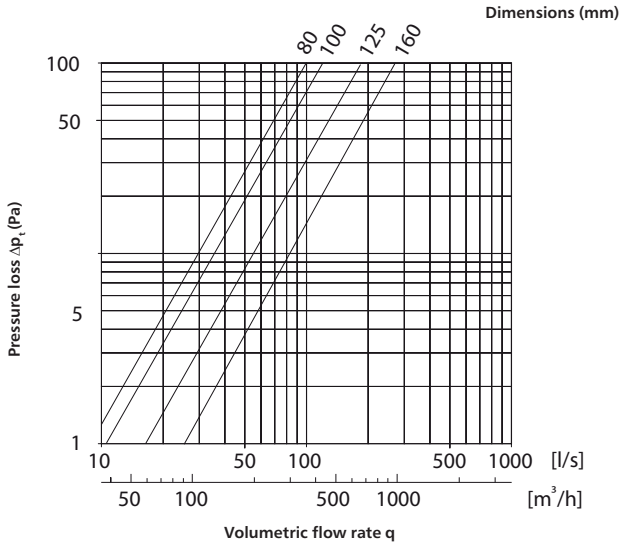
$$r_m \approx 1 \times d_1$$

$\text{\O}d_{1, \text{nom}}$ (mm)	L (mm)	Weight (kg)
100	100	0.4
125	125	0.6
160	160	1.0
200	200	1.5

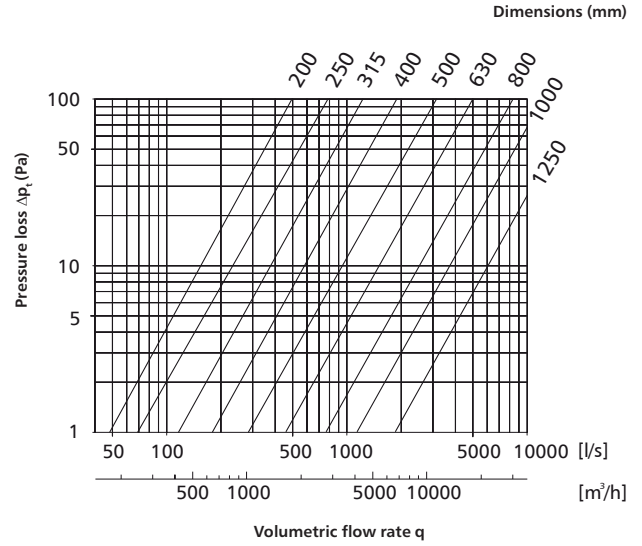
Technical specifications for 90° pressed and segmented bends **BPKL/BPL/BPDL/BSKL/BSL/BSDL**

Technical specifications

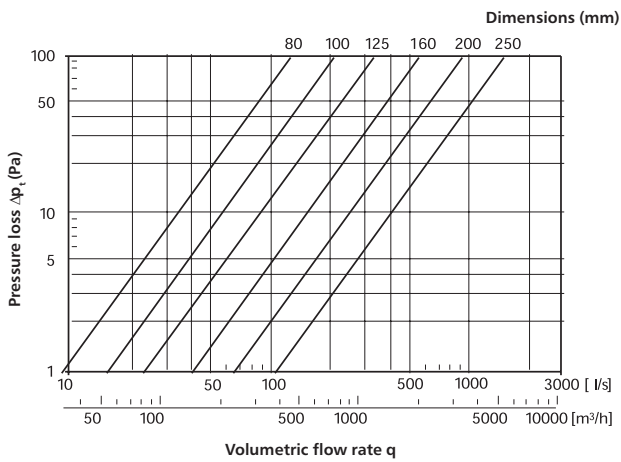
Flow chart for BPKL-90/BPK-90/BPKFL-90/BPKF-90



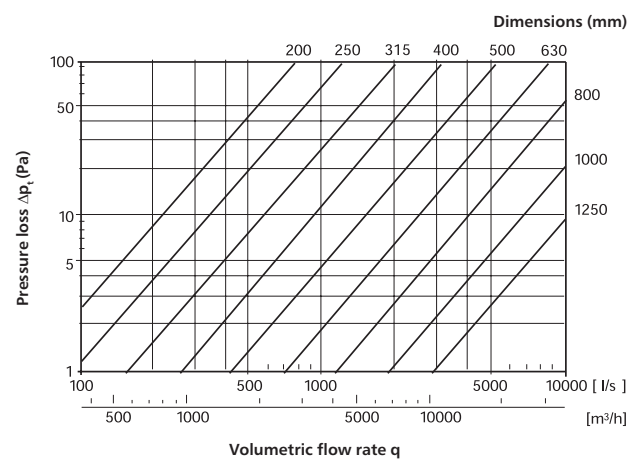
Flow chart for BSKL-90/BSK-90



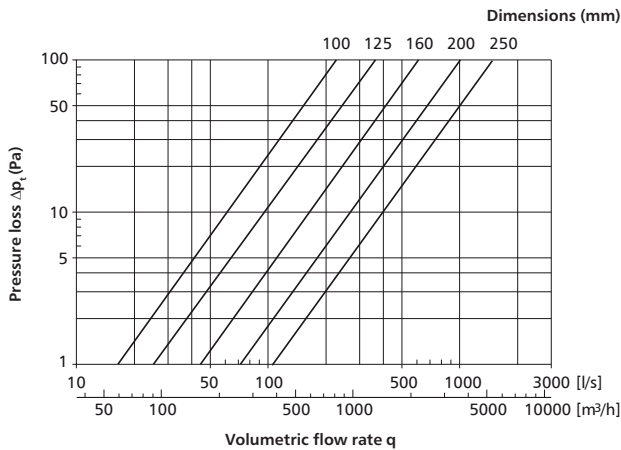
Flow chart for BPL-90/BP-90/BPL-K-90/BP-K-90



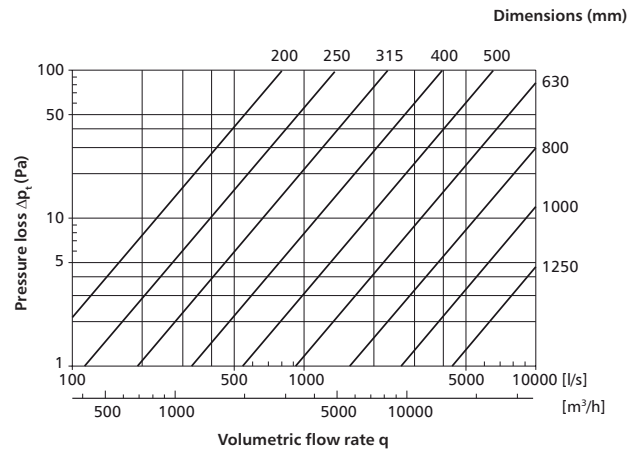
Flow chart for BSL-90/BS-90



Flow chart for BPDL-90/BPD-90



Flow chart for BSDL-90/BSD-90



Pressed bends with gaskets - stainless steel

BPL-K-45



Description

Pressed stainless bends are designed for installation of SPIRAL ducts and plain ducts. Seam welds provide air tightness class D without the need to use any other sealants. In ventilation and heat recuperation systems, the double EPDM gasket provides air tightness class D according to EN 12237. The piece is connected with a duct by inserting one into the other. The pressed form of the ventilation piece helps to reduce the flow resistance and the pressure loss.
Steel grade: 1.4301



There is also available version with a female end - **BPFL-K** code
or with two female ends - **BPFF-K** code

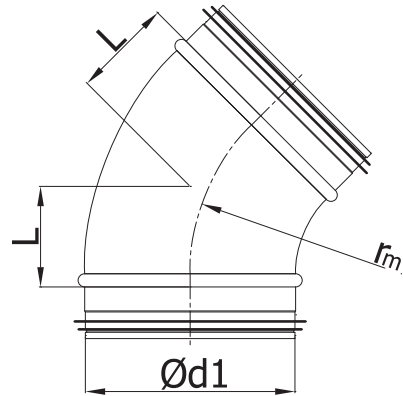
Available materials - Product code example
BPL-K-...-45 - 1.4301/304 stainless steel sheet

Product code example

Product code: **BPL-K - aaa - 45**

type _____
 $\varnothing d_1$ _____
 angle _____

Dimensions



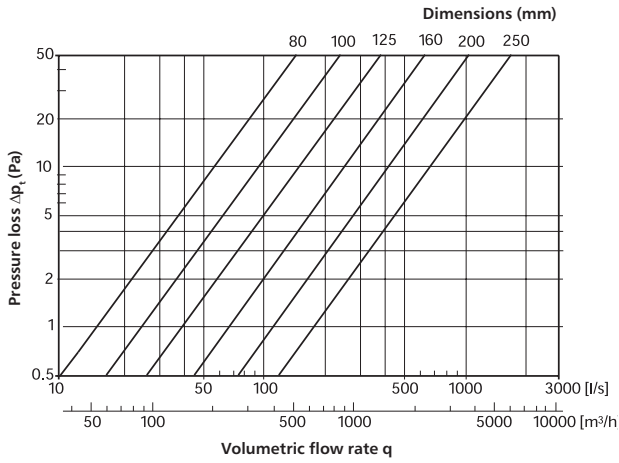
$$r_m \approx 1 \times d_1$$

$\varnothing d_{1\text{ nom}}$ (mm)	A (mm)	B (mm)	Weight (kg)
100	100	40	0.3
125	125	40	0.4
160	160	40	0.6
200	200	40	0.9

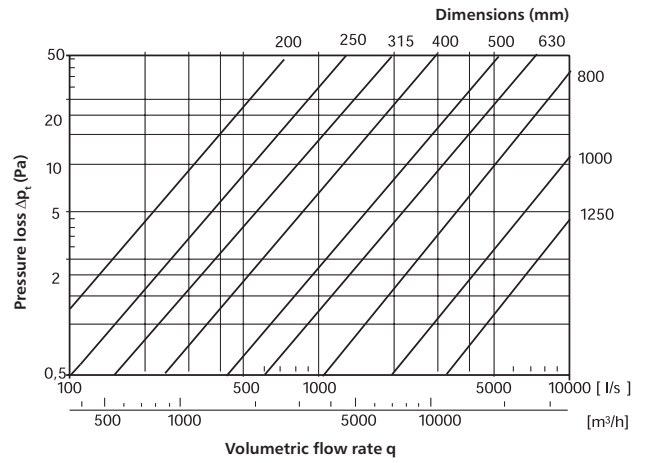
Technical specifications for 45° pressed and segmented bends **BPL/BP/BPL-K/BP-K/BPDL/BPD/BSL/BS**

Technical specifications

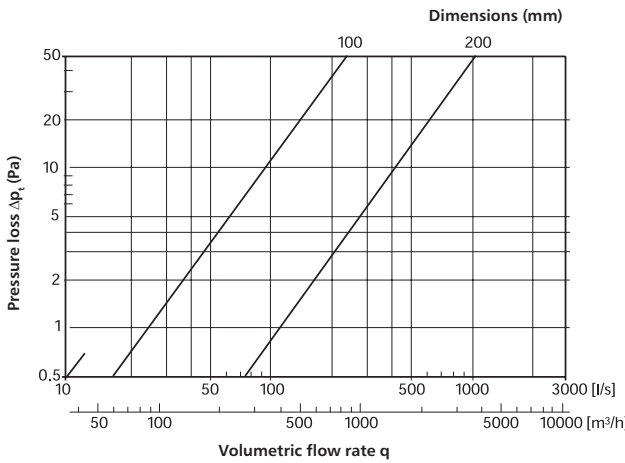
Flow chart for BPL-45 / BP-45



Flow chart for BSL-45 / BS-45



Flow chart for BPL-K-45 / BP-K-45



Flow chart for BPD-45 / BPD-45

