

Short bends with gaskets and short female bends

BPKL-90/BPKFL-90



Description

Short pressed bends are designed for building ventilation systems based on SPIRAL ducts and plain ducts. Seam welds provide air tightness class D without the need to use any other sealants. In ventilation and heat recuperation systems, the double EPDM gasket provides air tightness class D according to EN 12237. The piece is connected with a duct by inserting one into the other. The short bending radius helps installing the ductwork under a suspended ceiling with a limited clearance. BPKFLT bends feature a female joint for direct connection to the mounting frames of various air valves (e.g. KN-RM or KWO-RML).



There is also available version with a female end - **BPKFL** code or with two female ends - **BPKFF** code.

Available materials - Product code example
BPKL-... -90 - galvanized steel sheet

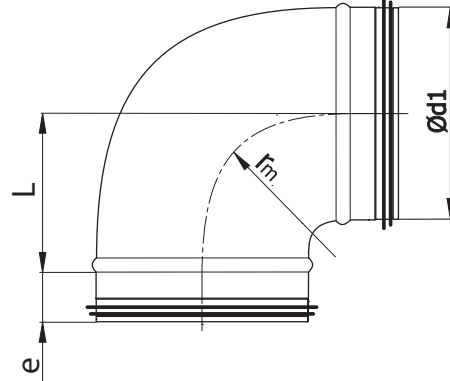
Product code example

Product code: **BPKL- aaa - 90**

type _____
 $\varnothing d_1$ _____
 angle _____

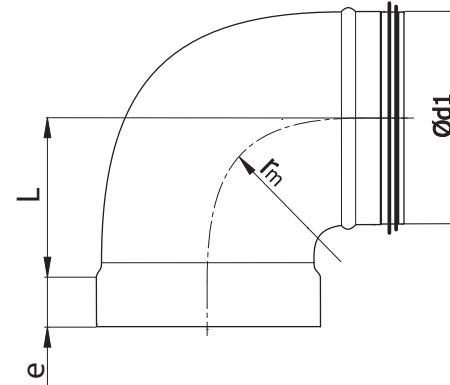
Dimensions

BPKL



$$r_m \approx 0.6 \times d_1$$

BPKFL



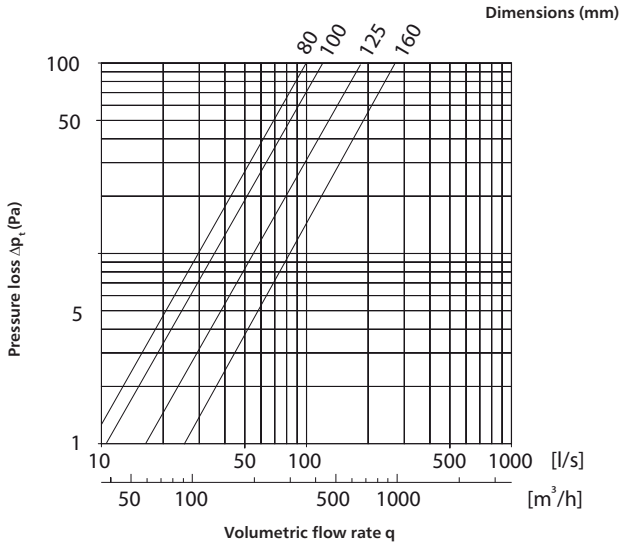
$$r_m \approx 0.6 \times d_1$$

$\varnothing d_{1\text{nom}}$ (mm)	L (mm)	e (mm)	Weight (kg)
80	52	36	0.2
100	62	36	0.3
125	75	36	0.4
150	87	36	0.5
160	92	36	0.6
200	112	36	0.8

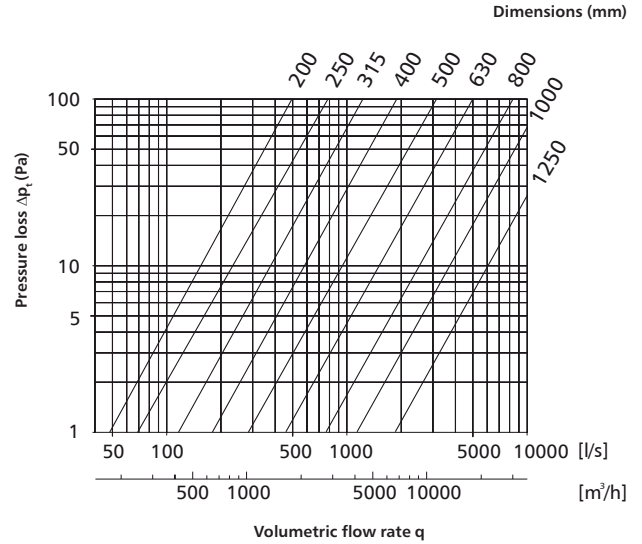
Technical specifications for 90° pressed and segmented bends **BPKL/BPL/BPDL/BSKL/BSL/BSDL**

Technical specifications

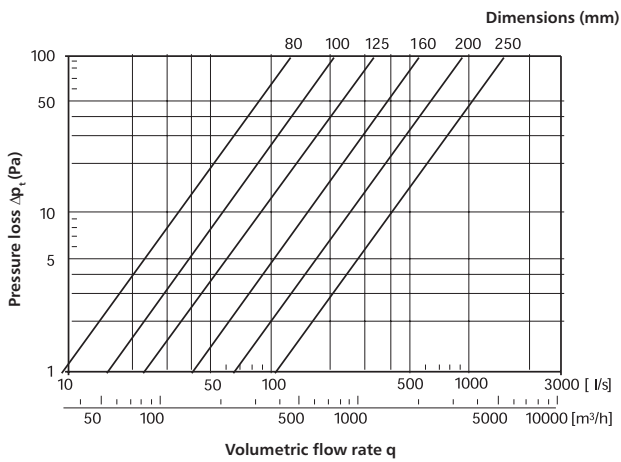
Flow chart for BPKL-90/BPK-90/BPKFL-90/BPKF-90



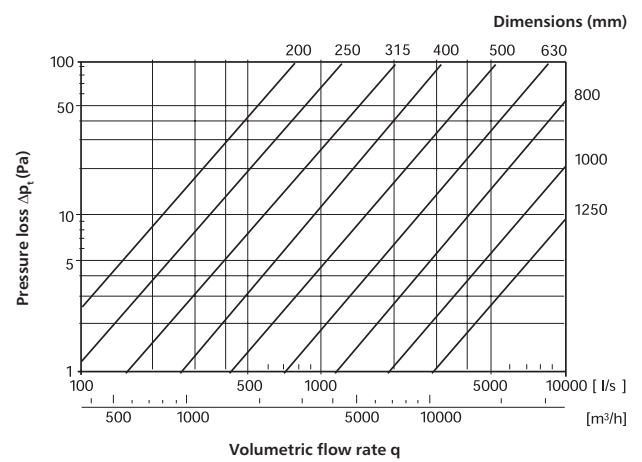
Flow chart for BSKL-90/BSK-90



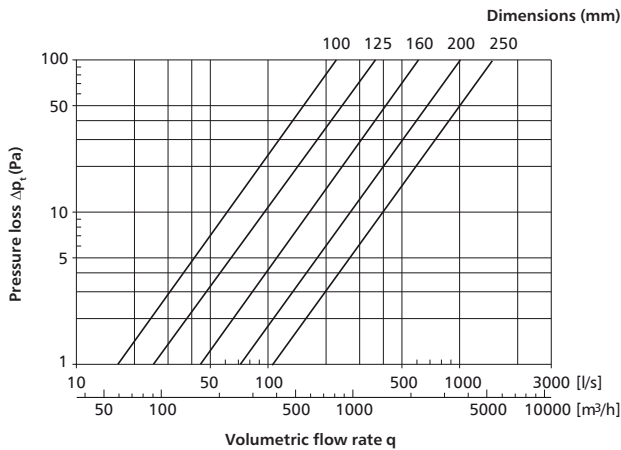
Flow chart for BPL-90/BP-90/BPL-K-90/BP-K-90



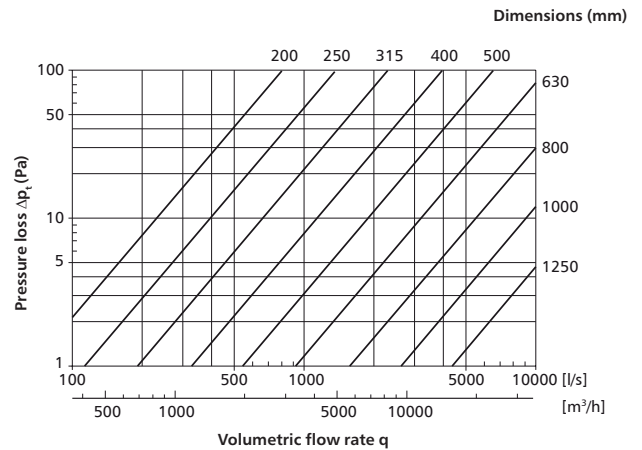
Flow chart for BSL-90/BS-90



Flow chart for BPDL-90/BPD-90



Flow chart for BSDL-90/BSD-90



Short pressed male-to-female bends with gaskets

BPKL-45/BPKFL-45



Description

Short pressed bends are designed for building ventilation systems based on spiral ducts and plain ducts. Seam welds provide air tightness class D without the need to use any other sealants. In ventilation and heat recuperation systems, the double EPDM gasket provides air tightness class D according to EN 12237. The piece is connected with a duct by inserting one into the other. The short bending radius helps installing the ductwork under a suspended ceiling with a limited clearance. BPKFL bends feature a female end for direct connection to the mounting frames of various air valves (e.g. KW-S-RM or KNT-RML).



There is also available version with a female end - **BPKFL** code or with two female ends - **BPKFF** code

Available materials - Product code example
BPKL-...-45 - galvanized steel sheet

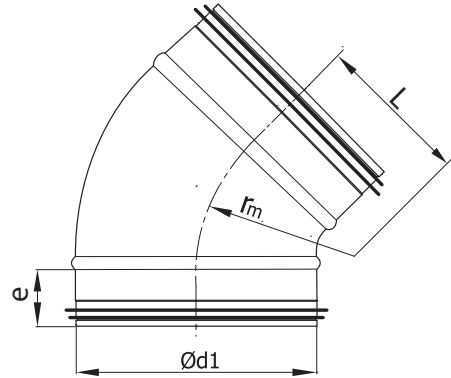
Product code example

Product code: **BPKL- aaa - 45**

type _____
 $\text{\O}d_1$ _____
 angle _____

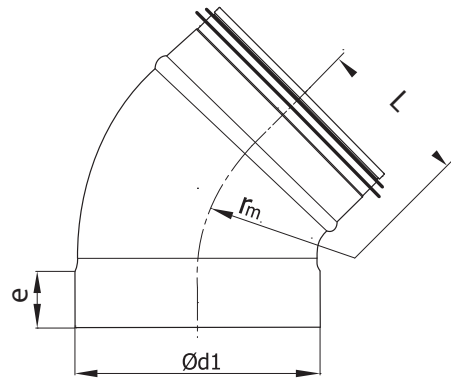
Dimensions

BPKL



$$r_m \approx 0.6 \times d_1$$

BPKFL



$$r_m \approx 0.6 \times d_1$$

$\text{\O}d_{1 \text{ nom}}$ (mm)	L (mm)	e (mm)	Weight (kg)
80	52	36	0.1
100	62	36	0.2
125	75	36	0.3
150	87	36	0.3
160	92	36	0.4
200	112	36	0.5