

Short male bends and short female bends

BPK-90/BPKF-90



Description

Short pressed bends are designed for building ventilation systems based on spiral and plain ducts. Seam welds improve the air tightness of the ventilation system, while the hemmed rim helps to avoid cutting injuries during handling and installation. The piece is connected with a duct by inserting one into the other. The short bending radius helps installing the ductwork under a suspended ceiling with a limited clearance. BPKFT bends feature a female joint for direct connection to the mounting frames of various air valves (e.g. KN-RM or KWO-RML).



There is also available version with a female end - **BPKF** code or with two female ends - **BPKFF** code.

Available materials - Product code example
BPK-... -90 - galvanized steel sheet

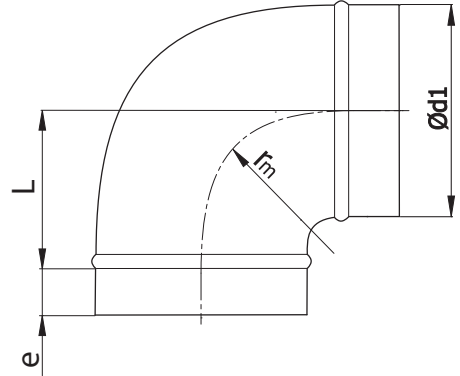
Product code example

Product code: **BPK - aaa - 90**

type _____
 $\varnothing d_1$ _____
 angle _____

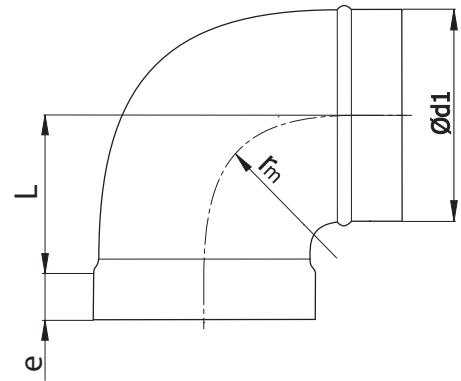
Dimensions

BPK



$$r_m \approx 0.6 \times d_1$$

BPKF



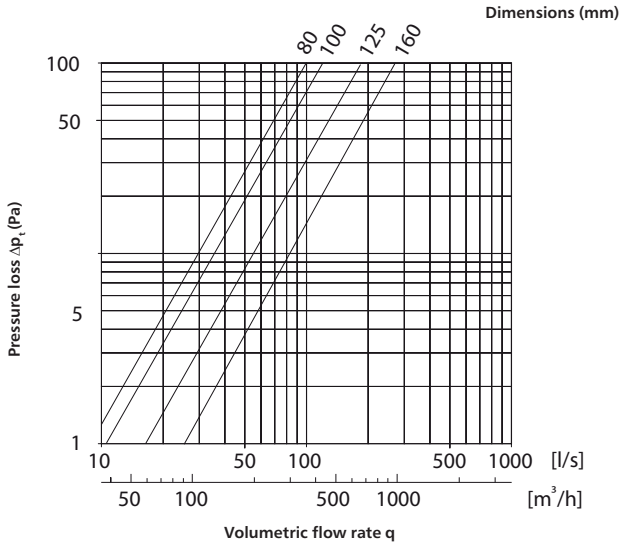
$$r_m \approx 0.6 \times d_1$$

$\varnothing d_{1\text{ nom}}$ (mm)	L (mm)	e (mm)	Weight (kg)
80	52	36	0.2
100	62	36	0.3
125	75	36	0.4
150	87	36	0.5
160	92	36	0.6
200	112	36	0.8

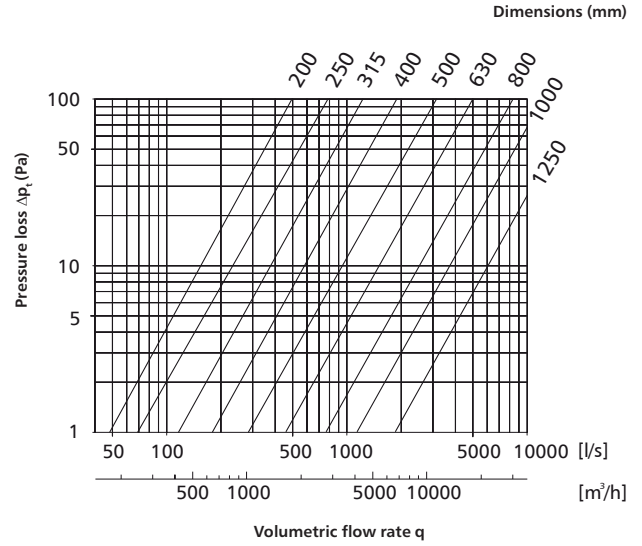
Technical specifications for 90° pressed and segmented bends **BPKL/BPL/BPDL/BSKL/BSL/BSDL**

Technical specifications

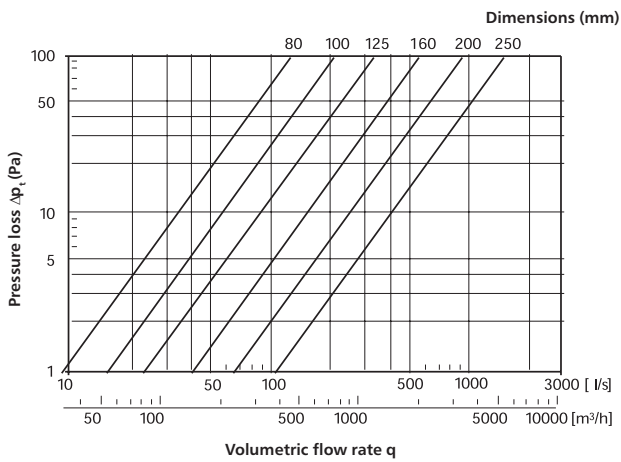
Flow chart for BPKL-90/BPK-90/BPKFL-90/BPKF-90



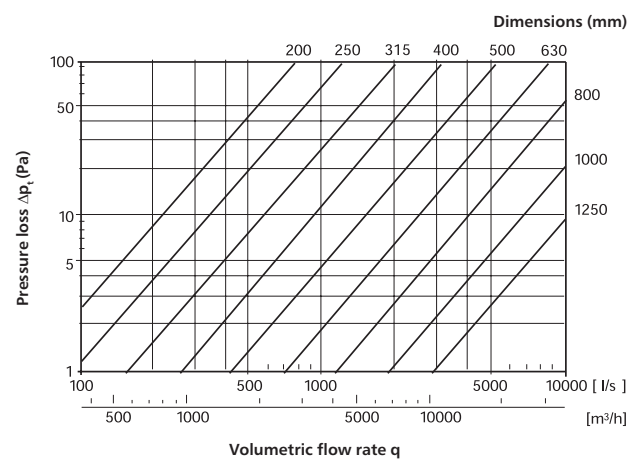
Flow chart for BSKL-90/BSK-90



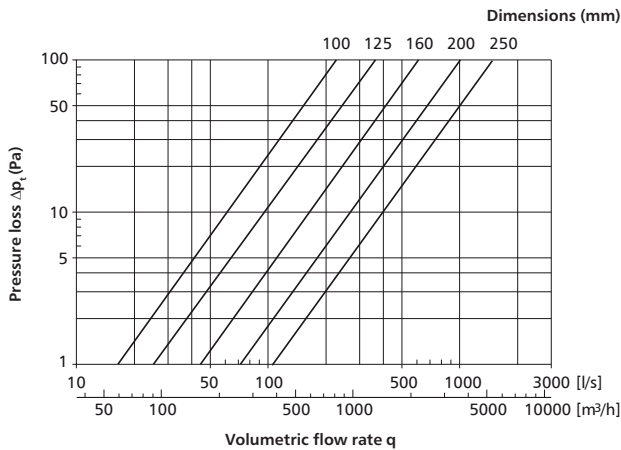
Flow chart for BPL-90/BP-90/BPL-K-90/BP-K-90



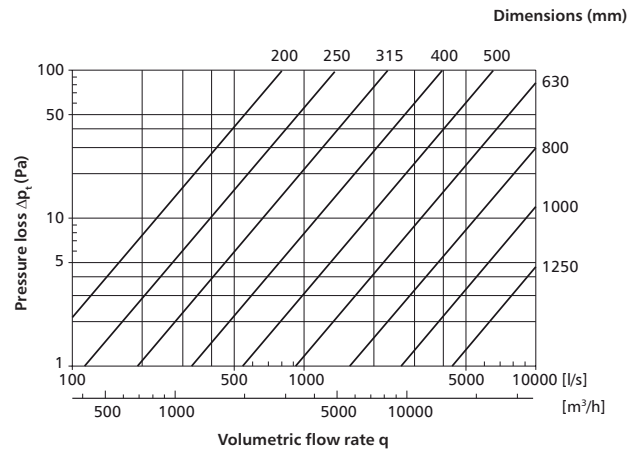
Flow chart for BSL-90/BS-90



Flow chart for BPDL-90/BPD-90



Flow chart for BSDL-90/BSD-90



Short pressed male-to-female bends BPK-45/BPKF-45



Description

Short pressed bends are designed for building ventilation systems based on spiral ducts and plain ducts. Seam welds improve the air tightness of the ventilation system, while the hemmed rim helps to avoid cutting injuries during handling and installation. The piece is connected with a duct by inserting one into the other. The short bending radius helps installing the ductwork under a suspended ceiling with a limited clearance. BPKFL bends feature a female joint for direct connection to the mounting frames of various air valves (e.g. KN-RM or KWO-RML).



There is also available version with a female end - **BPKF** code or with two female ends - **BPKFF** code

Available materials - Product code example
BPK-...-45 - galvanized steel sheet

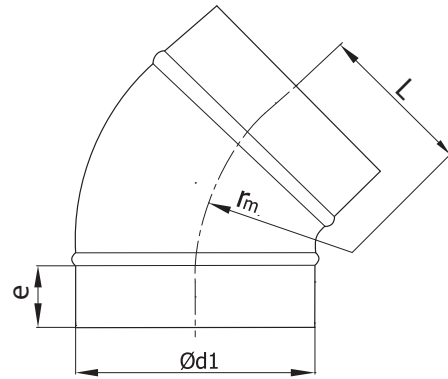
Product code example

Product code: **BPK - aaa - 45**

type _____
 $\varnothing d_1$ _____
 angle _____

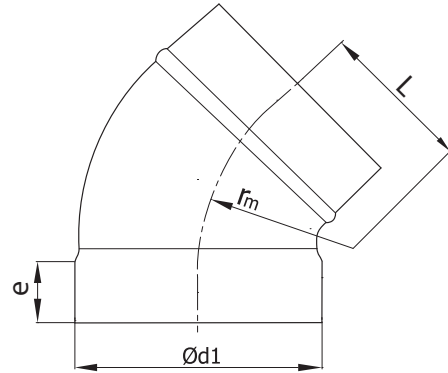
Dimensions

BPK



$$r_m \approx 0.6 \times d_1$$

BPKF



$$r_m \approx 0.6 \times d_1$$

$\varnothing d_{1\text{ nom}}$ (mm)	L (mm)	e (mm)	Weight (kg)
80	52	36	0.1
100	62	36	0.2
125	75	36	0.3
150	87	36	0.3
160	92	36	0.4
200	112	36	0.5