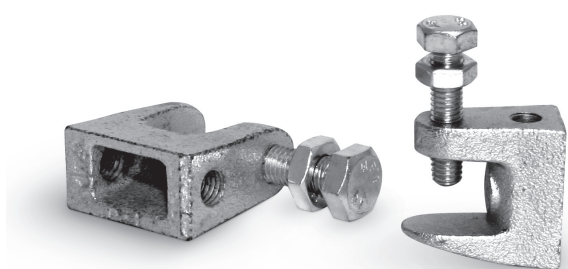


Beam clamps for threaded rods

B-CLB



Description

B-CLB beam clamps are fixtures for attaching threaded rods in suspension systems for electrical wiring, heat piping, water piping, ventilation ducts, and other building installations. The beam clamp is usually fastened with a steel set screw to steel beams / trusses of various forms.

Note: Tighten the screw to stop by hand; next, tighten by 1/2 of a full turn with a wrench. Then, tighten the nut.

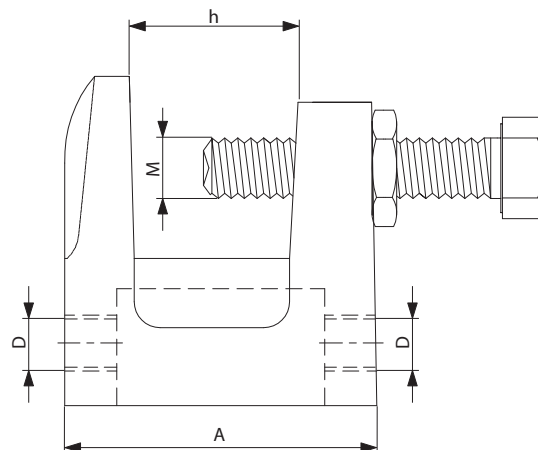
Available materials — Product code example
B-CLB-... — galvanized steel sheet

Product code example
Product code: **B-CLB-M08**

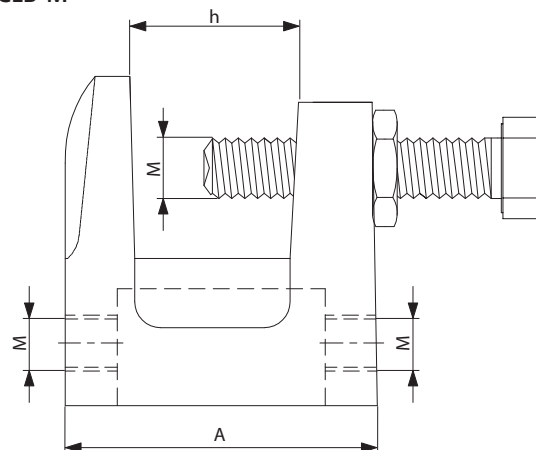
type _____

Dimensions

B-CLB



B-CLB-M



Product code	h [mm]	A [mm]	M [mm]	D [mm]
B-CLB-07	18	35	M6	7
B-CLB-09	18	35	M8	9
B-CLB-11	25	43	M10	11
B-CLB-13	25	45	M12	13
B-CLB-M06	16	30	M6	—
B-CLB-M08	18	35	M8	—
B-CLB-M10	21	43	M10	—

The accuracy of the casting for the dimensions h and A is +/- 2mm

Product code	Specific load F_k [kN]	Recommended load F_k [kN]	Mean force at failure [kN]
PG6-1	2.4	1.2	8.5
PG6-2	4.0	2.0	19.5
PG6-3	4.6	2.3	20.5