

Round vane supply diffusers

ACL



Description

The ACL round supply diffusers are compatible with low- and medium-pressure ventilation as well as A/C air supply and exhaust ducts. They can be used in steady and variable air flow systems. The temperature of the air supplied can be lower by up to 12°C than the indoor temperature. This enables using ACL diffusers in cold storage rooms. The recommended installation orientation is in the ceiling plane.

Material: galvanized steel sheet

Finish: powder-coated

Standard colours: RAL 9010

All RAL palette colours are available on request.

Available materials — Product code examples

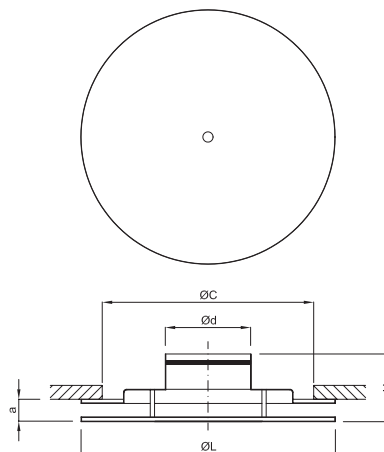
ACL-...- galvanized steel sheet, powder-coated finish
colour: RAL 9010

Product code example

Product code: **ACL - aaa**

type _____
size _____

Dimensions



Size	ØD (mm)	ØL (mm)	ØC (mm)	H (mm)
125	123	240	200	148
160	158	300	260	158
200	198	360	320	168
250	248	460	420	168
315	313	540	500	168
400	398	540	500	168

Round vane supply diffusers

ACL

Technical specifications

Selection charts

